

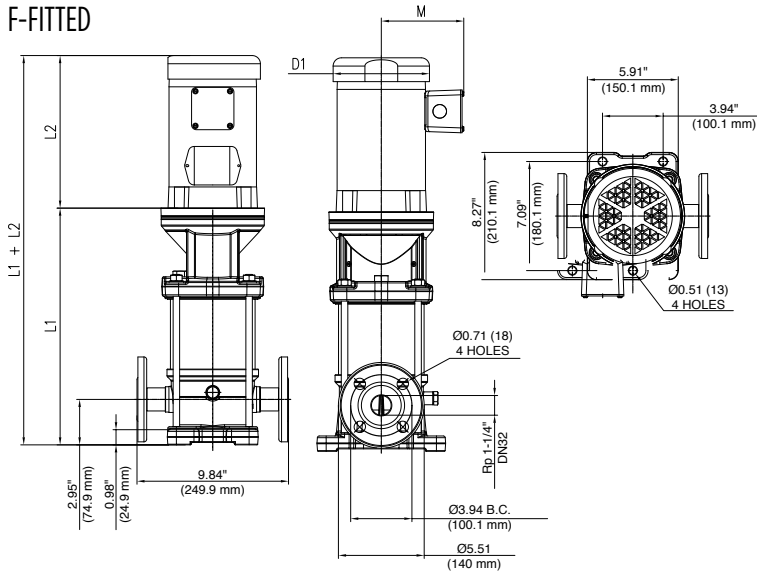
ENGINEERED PRODUCTS

VR SERIES PUMPS

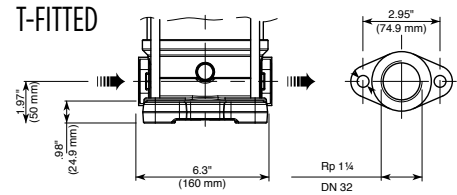


LINE DRAWINGS

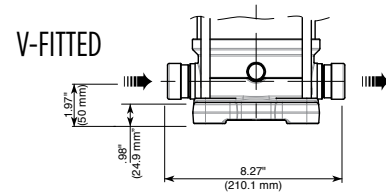
F-FITTED



T-FITTED



V-FITTED



DIMENSIONS

Pump End Dimensions [in]

Stages	HP	L1 'F"	Model No.
2	.75	13.49	3VR2-60 N
3	1	14.44	3VR3-60 N
4	1.5	15.38	3VR4-60 N
5	1.5	15.93	3VR5-60 N
6	2	16.90	3VR6-60 N
7	3	17.84	3VR7-60 N
8	3	19.18	3VR8-60 N

Pump End Dimensions [in]

Stages	HP	L1 'F"	Model No.
9	3	19.73	3VR9-60 N
10	5	21.08	3VR10-60 N
11	5	22.03	3VR11-60 N
12	5	22.97	3VR12-60 N
13	5	23.92	3VR13-60 N
14	5	24.86	3VR14-60 N
15	5	25.81	3VR15-60 N

F-Fitted*: Round flanges on body type PN25—pump is supplied without joints, bolts, and counter flanges.

T-Fitted: Oval flanges on body type PN16—pump is supplied without oval counter flanges for pipe to be screwed, joints, and bolts.

V-Fitted: Connections with rapid fittings type "Victaulic"—pump is supplied without collars.

Motor Dimensions [in]

Phase	HP	Frame	Standard Efficiency ODP				Premium Efficiency ODP				Phase	Standard Efficiency TEFC				Standard Efficiency TEFC			
			Volts	L2	M	D1	Volt	L2	M	D1		Volts	L2	M	D1	Volt	L2	M	D1
3	.75	56C	208-230/460	11.22	5.06	6.19	N/A	N/A	N/A	N/A	3	208-230/460	11.35	5.19	6.19	575	11.35	5.19	6.19
	1	56C		11.22	5.06	6.19							11.35	5.19	6.19		11.35	5.19	6.19
	1.5	56C		12.72	5.06	6.2							11.97	5.19	6.19		11.97	5.19	6.19
	2	56C		13.22	5.06	6.2							12.85	5.19	6.19		12.85	5.19	6.19
	3	56C		13.24	5.62	7.16							13.23	5.74	7.19		13.23	5.74	7.19
5	182/4TC		16.55	5.61	8.92	208-230/460	13.62	6.75	8.5			16.55	6.87	8.5	N/A	N/A	N/A	N/A	

Phase	HP	Frame	Premium Efficiency TEFC				Premium Efficiency TEFC				Phase	Standard Efficiency ODP				Standard Efficiency TEFC				
			Volts	L2	M	D1	Volt	L2	M	D1		Volts	L2	M	D1	Volt	L2	M	D1	
3	.75	56C	N/A	N/A	N/A	N/A	N/A	N/A	N/A	1	115/230	12.85	5.06	6.19	115/230	11.97	5.19	6.19		
	1	56C										12.72	5.06	6.19		12.25	5.55	7.19		
	1.5	56C										12.73	5.06	6.2		13.25	5.74	7.19		
	2	56C										13.24	5.61	7.19		14.12	6.62	7.19		
	3	56C																		
5	182/4TC	575	16.55	6.87	8.5	208-230/460	16.55	6.87	8.5			230	12.94	5.73	6.62	230	14.12	5.79	7.19	
												N/A	N/A	N/A	N/A			18.05	6.87	8.6

*Note: Dimensions for round flange units are for estimating purposes only. All measurements are in inches.



Franklin Electric

franklinengineered.com