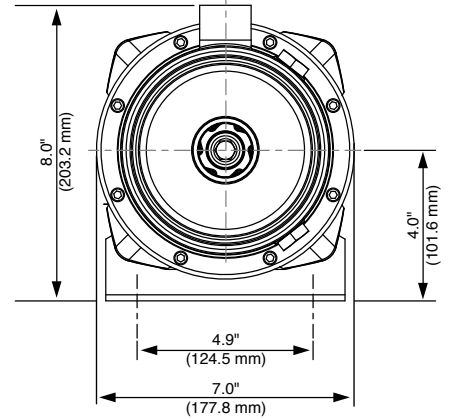
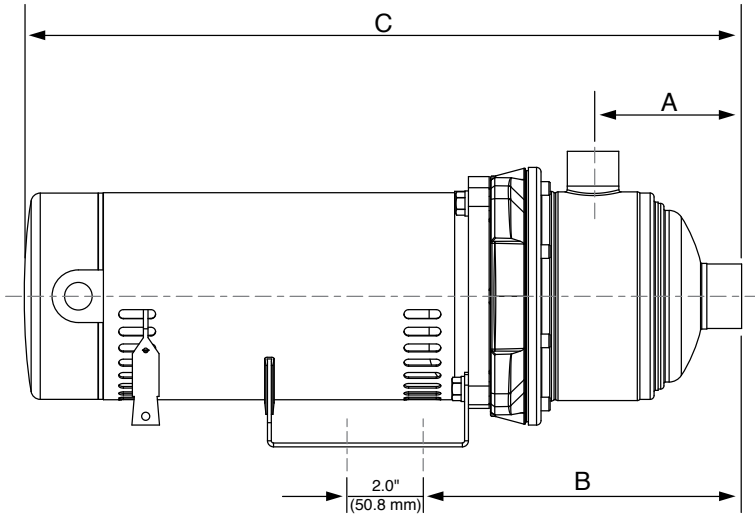


# ENGINEERED PRODUCTS

## MH SERIES CENTRIFUGAL PUMPS

### LINE DRAWINGS



### DIMENSIONS

#### Single-Phase

GPM	HP	Stage	A	B	C
15	0.5	2	4.06	8.75	16.75
	0.75	3	4.06	8.75	17.50
	1	4	5.00	9.69	19.07
	1.5	5	5.94	10.64	20.81
	2	6	6.89	11.58	22.59
30	0.75	2	4.06	8.75	17.50
	1	3	4.06	8.75	19.00
	1.5	4	5.00	9.69	20.70
	2	5	5.94	10.64	21.64
45	1.5	2	4.65	9.34	19.67
	2	3	4.65	9.34	20.50

\*All measurements are in inches.

#### Three-Phase

GPM	HP	Stage	A	B	C
15	0.5	2	4.06	8.75	16.97
	0.75	3	4.06	8.75	17.62
	1	4	5.00	9.69	18.92
	1.5	5	5.94	10.64	20.78
	2	6	6.89	11.58	22.56
30	0.75	2	4.06	8.75	17.62
	1	3	4.06	8.75	18.85
	1.5	4	5.00	9.69	20.67
	2	5	5.94	10.64	21.61
45	1.5	2	4.65	9.34	19.64
	2	3	4.65	9.34	20.47