

ENGINEERED PRODUCTS: SIMPLEX HARD PIPED PACKAGES

APPLICATIONS

Low-pressure sewer applications; sewage wastewater transfer for light commercial or residential applications

FEATURES

- Fiberglass basin comes configured with hard-pipe installation
- 1-1/4" SCH 80 PVC check valve and ball valve
- SCH 80 PVC discharge piping with union disconnect
- 4" Adapt-A-Flex inlet
- 1-1/4" FNPT discharge flange factory installed
- Cover is ribbed structural foam
- 2 hp GP Series automatic grinder pump eliminates the need for a control panel



SERIES SPECIFICATIONS

SIMPLEX GRINDER HARD PIPED PACKAGE SYSTEM**

Item No.	Model	Basin			Style	Description
		Size	Height	Discharge Center Line (Installed from top)		
515201	IGP-SMPXFG-HP	24" x 48" 61 cm x 121.9 cm	48" 121.9 cm	18" 45.7 cm	Fiberglass	BS2448FGHP
515202	IGP-SMPXFG-HP	24" x 60" 61 cm x 152.4 cm	60" 152.4 cm	18" 45.7 cm	Fiberglass	BS2460FGHP
515203	IGP-SMPXFG-HP	24" x 72" 61 cm x 182.9 cm	72" 182.9 cm	24" 60.96 cm	Fiberglass	BS2472FGHP

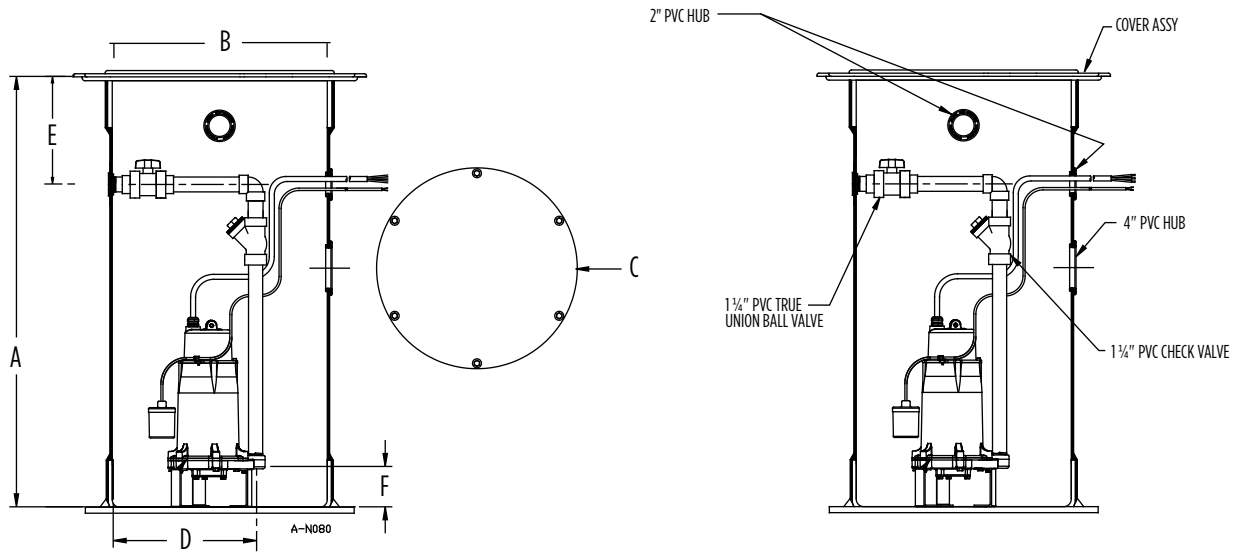
** Multiple grinder package configurations and basin/cover assemblies available. Please call 1.866.271.2859 for information on additional package specifications not shown here.

PUMP

Item No.	Model	Volts
515861	GP-A231-20	208-230

ENGINEERED PRODUCTS: SIMPLEX HARD PIPED PACKAGES

ENGINEERING DATA



Item No.	Model	A	B	C	D	E	F
515201	IGP-SMPXFG-HP	48" 122 cm	24" 60.96 cm	28" 71.2 cm	16" 40.64 cm	18" 45.72 cm	5" 12.7 cm
515202	IGP-SMPXFG-HP	60" 152.4 cm	24" 60.96 cm	28" 71.2 cm	16" 40.64 cm	18" 45.72 cm	5" 12.7 cm
515203	IGP-SMPXFG-HP	72" 182.88 cm	24" 60.96 cm	28" 71.2 cm	16" 40.64 cm	24" 60.96 cm	5" 12.7 cm

PUMP PERFORMANCE DATA

