

## ENGINEERED PRODUCTS: IGPH-A AND IGPHR-A AUTOMATIC SERIES

### APPLICATIONS

- Engineered Products IGPH-A and IGPHR-A Series Grinder Pumps are ideal for sewage waste transfer

### FEATURES

- Powerful 2 hp, 3450 rpm motor to handle the demands of grinding domestic sewage
- Start/Run components encased in oil-free chamber requiring no control panel
- Dual stage hydraulics
- Carbon/Ceramic mechanical seal
- Deflection-resistant, short motor shaft
- Corrosion-resistant upper and lower brass impellers minimize downtime and maintenance
- Tight cutting clearances for superior grinding at 414,000 cuts per minute
- Epoxy-coated finish for corrosion resistance and durability
- Built-in overload protection prevents over-current/over-temperature damage

### CONSTRUCTION

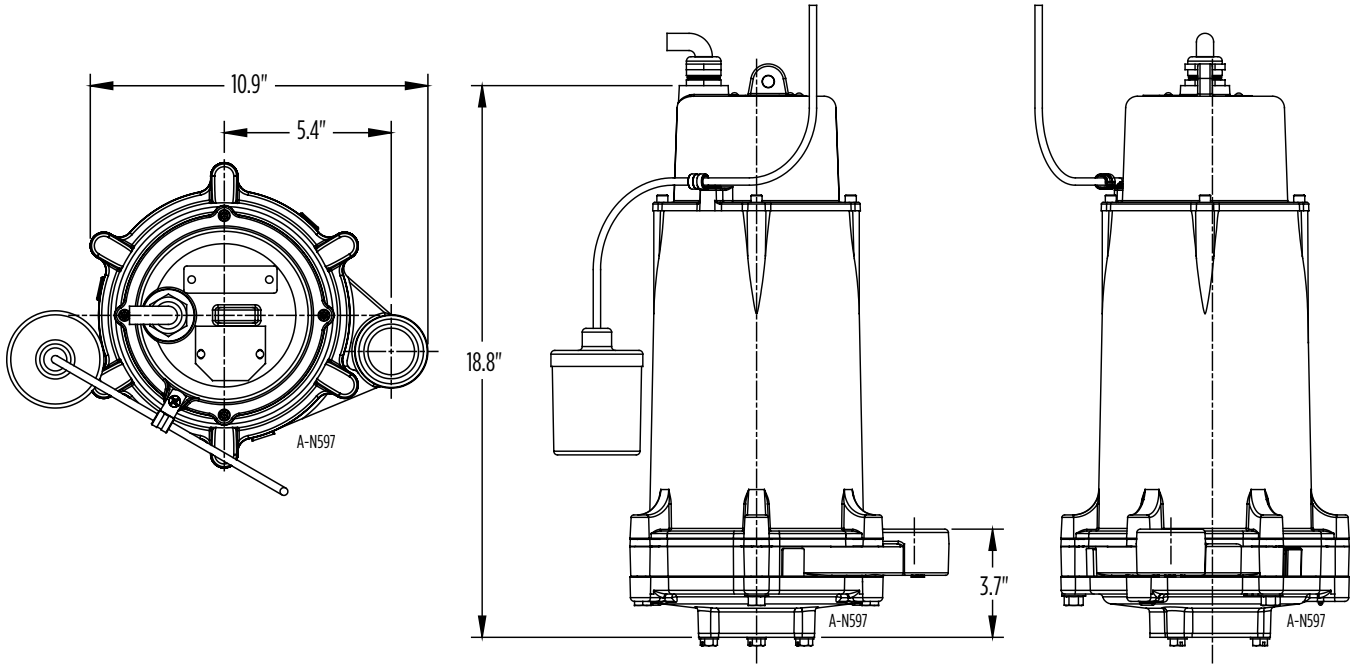
Motor Cover	Cast iron with epoxy-coating
Motor Cover O-ring	Nitrile
Motor Design	Single-phase, capacitor start, capacitor run
Insulation Class	F
Overload Protection	Internal, on winding thermal protector
Motor Shaft	AISI 300 series stainless steel
Ball Bearing-Upper	Single row ball, 6203
Ball Bearing-Lower	Single row ball, 6306
Seal Housing	Cast iron with epoxy-coating
Mechanical Seal	Carbon/ceramic
Volute	Cast iron with epoxy-coating
Impellers	Brass
Rotating Cutter	2 blade design, AISI 440C stainless steel, through-hardened to Rockwell 55-60C
Stationary Cutter	AISI 440C stainless steel, hardened to Rockwell 55-60C
External Hardware	300 series stainless steel
Power Cable	Type SOW or S00W 12/3



(U.S. Patent No. 7,237,736)

# ENGINEERED PRODUCTS: IGPH-A AND IGPHR-A AUTOMATIC SERIES

## DIMENSIONS



## MODEL INFORMATION

Item No.	Model	HP	Volts	Hz	Phase	Cord Length	Full Load Amps/Watts	Weight (lbs)
515713	IGPH-A231-30	2	208-230	60	1	30'	18.5/3600	109
515715	IGPH-A231-50	2	208-230	60	1	50'	18.5/3600	110
515716*	IGPH-A231-50	2	208-230	60	1	30'	18.5/3600	109
515701	IGPHR-A231-30	2	208-230	60	1	30'	16/3600	109
515703	IGPHR-A231-50	2	208-230	60	1	50'	16/3600	110
515711*	IGPHR-A231-30	2	208-230	60	1	30'	16/3600	109

Performance (GPM @ Head)				Shut-Off	PSI
100'	125'	150'	175'		
30	24	18	10	200'	65

\* No Float

## PERFORMANCE DATA

