

ENGINEERED PRODUCTS: IGPH-M AND IGPHR-M MANUAL SERIES

APPLICATION

Engineered Products IGPH Series Grinder Pumps are ideal for sewage waste transfer.

FEATURES

- Powerful 2 hp, 3450 rpm motor to handle the demands of grinding domestic sewage
- Externally-mounted start components*
- Dual stage hydraulics
- Carbon/Ceramic mechanical seal
- Deflection-resistant, short motor shaft
- Corrosion-resistant upper and lower brass impellers minimize downtime and maintenance
- Tight cutting clearances for superior grinding at 414,000 cuts per minute
- Epoxy-coated finish for corrosion resistance and durability
- Built-in overload protection prevents over-current and over-temperature damage

**The IGPH and IGPHR Series single phase pumps require a specific control panel or capacitor kit from FPS, matched to the pump for proper operation and third-party approval.*

CONSTRUCTION

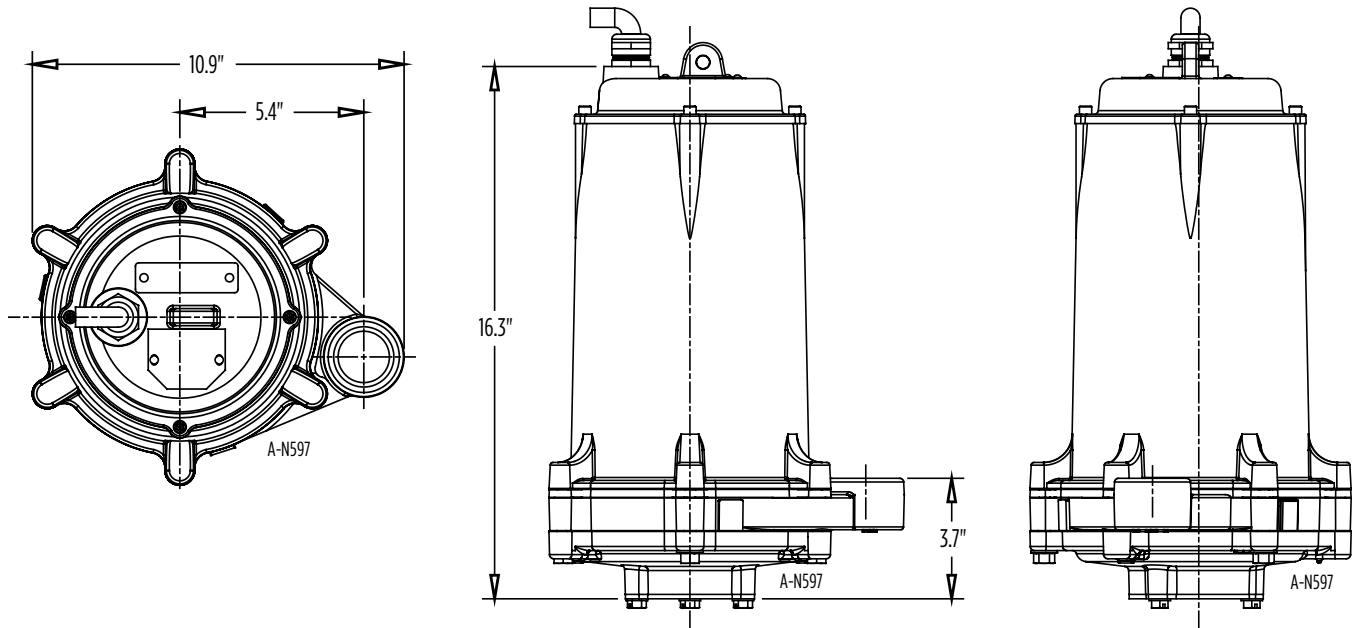
Motor Cover	Cast iron with epoxy-coating
Motor Cover O-ring	Nitrile
Motor Design	Single-phase, Three-phase
Insulation Class	F
Overload Protection	Internal, on winding thermal protector
Motor Shaft	AISI 300 series stainless steel
Ball Bearing-Upper	Single row ball, 6203
Ball Bearing-Lower	Single row ball, 6306
Seal Housing	Cast iron with epoxy-coating
Mechanical Seal	Carbon/ceramic
Volute	Cast iron with epoxy-coating
Impellers	Brass
Rotating Cutter	2 blade design, AISI 440C stainless steel, through-hardened to Rockwell 55-60C
Stationary Cutter	AISI 440C stainless steel, hardened to Rockwell 55-60C
External Hardware	300 series stainless steel
Power Cable	Type SOW or SOOW 12/4



(U.S. Patent No. 7,237,736)

ENGINEERED PRODUCTS: IGPH-M AND IGPHR-M MANUAL SERIES

DIMENSIONS



MODEL INFORMATION

Item No.	Model	HP	Volts	Hz	Phase	Cord Length	Full Load Amps/Watts	Weight (lbs)
515712	IGPH-M231-30	2	208-230	60	1	30'	18.5/3600	107
515714	IGPH-M231-50	2	208-230	60	1	50'	18.5/3600	110
515704	IGPH-M233-30	2	208-230	60	3	30'	13/1650	105
515705	IGPH-M233-50	2	208-230	60	3	50'	13/1650	110
515706	IGPH-M463-30	2	460	60	3	30'	6/1300	105
515707	IGPH-M463-50	2	460	60	3	50'	6/1300	110
515708	IGPH-M573-30	2	575	60	3	30'	4/1150	105
515709	IGPH-M573-50	2	575	60	3	50'	4/1150	110
515700	IGPHR-M231-30	2	208-230	60	1	30'	16/3600	107
515702	IGPHR-M231-50	2	208-230	60	1	50'	16/3600	110

Performance (GPM @ Head)				Shut-Off	PSI
100'	125'	150'	175'		
30	24	18	10	200'	65

PERFORMANCE DATA

