

# INLINE 1100

## CONSTANT PRESSURE SYSTEM

The Inline 1100 provides constant pressure for both private wells and municipal/city water systems.

### TECHNICAL INFORMATION

- **Flow Range:** Up to 35 gpm (135 lpm)
- **Product Power Rating:** 1.2 hp (0.9 kW)
- **Minimum Incoming Pressure:** 3 – 5 psi (0.2 – 0.3 bar)
- **Minimum Incoming Flow and Cisterns:**  
Flooded suction without water vortexing
- **Max. Incremental Pressure Boost:** 60 psi (4.1 bar)
- **Max. Ambient Operating Temperature:** Continuous operation, 104 °F (40 °C)
- **Max. Fluid Operating Temperature:** 104 °F (40 °C)
- **Incoming voltage:** 190–260 VAC\*
- **Frequency:** 50/60 Hz
- **Operating Frequency Range:** 20–63 Hz
- **Current (Maximum):** 12 Amps (rms)
- **Pressure Setting from Factory:** 50 psi (3.4 bar)
- **Pressure Adjustment Range:** 25–80 psi (1.7–5.5 bar)
- **Relative Humidity:** 0–100%, Condensing
- **Shipping Weight:** 50 lbs (22.7 kg)

\*Drive will operate at reduced power level at 190 VAC

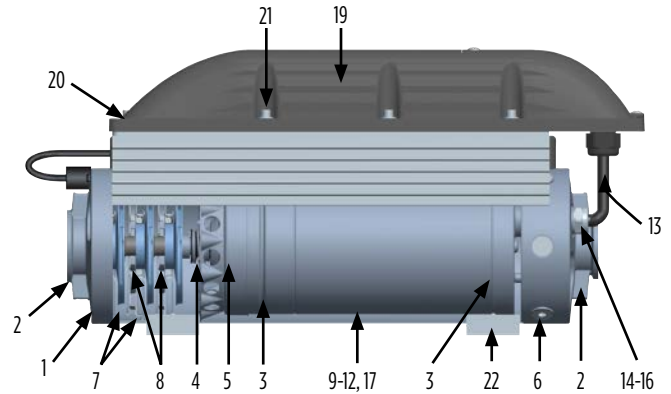




# INLINE 1100

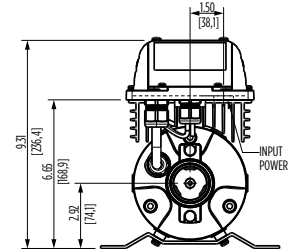
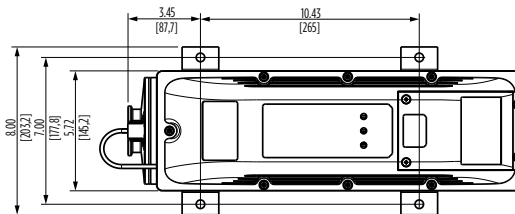
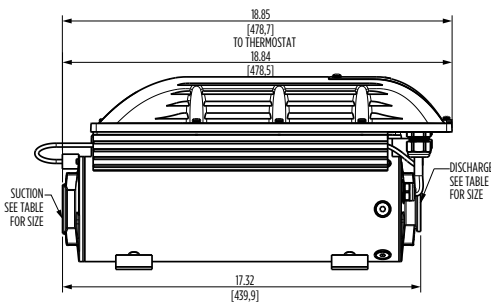
## PARTS

Item	Description	Comment
1	Outer Shell	300 Series SS — 1.5 mm thick
2	Suction/Discharge	304 SS Casting. 1.25" NPT thread. Integrated ears to be able to hold other types of flanges if required
3	O-Rings	NBR-Nitrile Buna Rubber — Temp. rated to 104 °F (40 °C)
4	Pump Mechanical Seal	Carbide/Ceramic/Buna Rubber Seals
5	Internal Motor Seal	Silicon/Carbide/Buna Rubber Seals
6	Outer Shell Screws & Inserts	316 SS
7	Pump Hydraulics	i.e. Impellers, Diffusers, Bowls — 316 SS
8	Floating Seal Rings	PTFE
9	Motor	Dry Design
10	Motor Bearings	Ball Bearing Type — 6202 double sealed on discharge end, 6303 — suction side — double sealed All pre-greased and rated to 104 °F (40 °C)
11	Motor Shaft	304 SS
12	Motor Insulation	Class - F - IP68 rated
13	Motor Lead	14 Ga SJ00W
14	Motor Cable Gland	CuZn — Nickel plated brass
15	Motor Lead Washers	304 SS
16	Motor Lead Rubber Seal	Nitrile

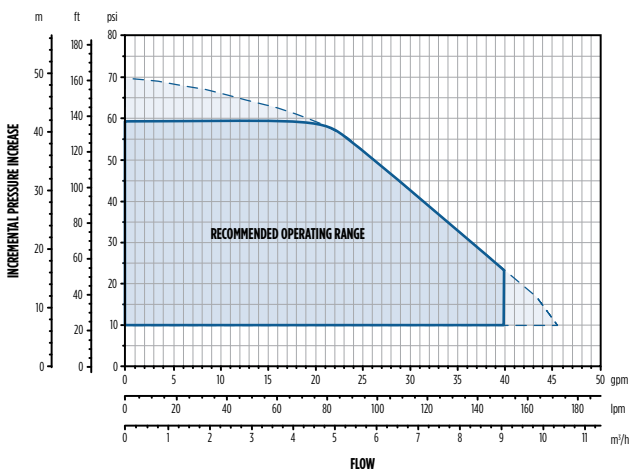


Item	Description	Comment
17	Oil Chamber (Motor)	Filled with medical grade white oil — Marcol 82
18	Heat Sink	Die cast aluminum
19	Drive Enclosure Material	Polycarbonate (Flame Retardant, UL 94 V-0)
20	Drive Gaskets	Close Cell Foam Nitrile Rubber
21	Drive Fasteners	304 SS
22	Mounting Base	300 Series SS
N/A	Shaft Coupling	304 SS (Not Shown)

## DIMENSIONS



## PERFORMANCE



NOTE: Running outside of 'Recommended Operating Range' for short periods of time is permissible.

## ORDERING INFORMATION

Model Description	Order No.	Input Voltage	Input Phase
25SDIL1100N4 <sup>1</sup> (NPT)	90401101	230	Single
25SDIL1100N4-B <sup>1</sup> (BSP)	90401102	230	Single
Drive Assembly	305707901	230	Single
Pump Motor Assembly (NPT)	305707902	230	Single
Pump Motor Assembly (BSP)	305707911	230	Single
Mounting Feet	305707903	N/A	N/A
Pressure Switch	305707906	N/A	N/A
Pressure Tank (2-gallon)	305707910	N/A	N/A
Fastener Kit	305707904	N/A	N/A
Pressure Switch Cable	305707905	N/A	N/A
Overpressure Switch <sup>2</sup>	305707909	N/A	N/A
Overpressure Switch Cable <sup>2</sup>	305707908	N/A	N/A
Overpressure Switch & Cable Combo <sup>2</sup>	305707912	N/A	N/A

<sup>1</sup> Includes pump, motor, drive, pressure switch, and all cables.

<sup>2</sup> Overpressure switch is sold as an accessory and is not required for normal operation.