

# FPS

## 3NC SERIES

SUBMERSIBLE NON-CLOG PUMPS

Franklin Electric's 3NC Series Non-Clog pumps are designed to handle the absolute most demanding commercial or industrial applications and are backed by Franklin's long-standing reputation for quality.



# 3NC SERIES PUMPS

## APPLICATIONS

- Used for a multitude of purposes in commercial and industrial applications such as: sewage, effluent, irrigation, and general de-watering.

## FEATURES

- Dual Mechanical Seals: Silicon carbide vs. silicon carbide lower seal and silicon carbide vs. silicon carbide upper seal with additional exclusion seal.
- Impeller: Ductile iron, two vane semi-open, balanced, non-clogging with pump-out vanes to protect the mechanical seal and assist with thrust loading.
- Seal Sensor Probe: Integrated into the seal-fail detection chamber, it will send a signal to the pump control panel indicating that a fault has occurred and the pump should be removed for service.
- Motor: The motor was designed for continuous operation when pump is fully submerged (104 °F maximum) and boasts Class F insulation.
- Wear Plate: Wear plate is field adjustable, eliminating the need for a replaceable wear ring.

## SPECIFICATIONS

- 3" horizontal flange discharge (125# ANSI flange)
- Maximum solids size: 2.5"
- Power cable: 8/4 - type S00W
- Sensor cable: 16/4 - type S00W
- Class F motor insulation
- Continuous duty motor (104 °F maximum)
- Lower double row ball bearing
- AISI 420 SST motor shaft
- Seal-fail indication probe
- 300 Series SST fasteners
- Cast iron motor housing, volute, and seal chamber
- Fluoroelastomer (FKM) sealing system for motor enclosure
- Mechanical seals: Dual silicon carbide
- Additional exclusion seal
- Agency listing: cCSAus



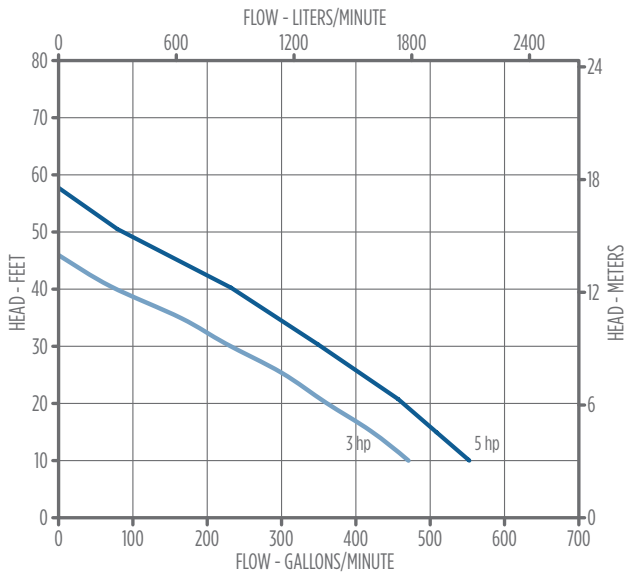


# 3NC SERIES PUMPS

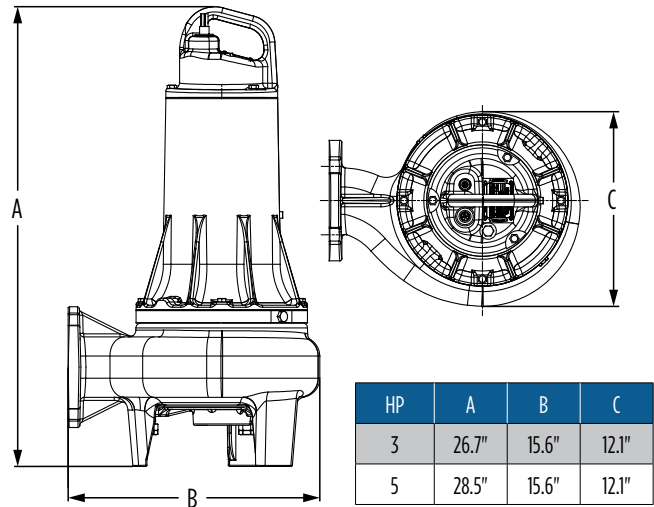
## MODEL INFORMATION

Item	Model	Amps	HP	Volts	Phase	RPM	Hz	Discharge	Solids	Cord Length	Weight (lb)
87109877-00	3NC-320P3	16	3	200	3	1750	60	3" Flange	2.5"	30'	240
87109877-01	3NC-320P3	16	3	200	3	1750	60	3" Flange	2.5"	50'	254
87109724-00	3NC-323P3	15	3	230	3	1750	60	3" Flange	2.5"	30'	240
87109724-01	3NC-323P3	15	3	230	3	1750	60	3" Flange	2.5"	50'	254
87109732-00	3NC-346P3	7.5	3	460	3	1750	60	3" Flange	2.5"	30'	240
87109732-01	3NC-346P3	7.5	3	460	3	1750	60	3" Flange	2.5"	50'	254
87109744-00	3NC-357P3	6	3	575	3	1750	60	3" Flange	2.5"	30'	240
87109744-01	3NC-357P3	6	3	575	3	1750	60	3" Flange	2.5"	50'	254
87109878-00	3NC-520P3	20.5	5	200	3	1750	60	3" Flange	2.5"	30'	246
87109878-01	3NC-520P3	20.5	5	200	3	1750	60	3" Flange	2.5"	50'	260
87109725-00	3NC-523P3	19.5	5	230	3	1750	60	3" Flange	2.5"	30'	246
87109725-01	3NC-523P3	19.5	5	230	3	1750	60	3" Flange	2.5"	50'	260
87109733-00	3NC-546P3	10.5	5	460	3	1750	60	3" Flange	2.5"	30'	246
87109733-01	3NC-546P3	10.5	5	460	3	1750	60	3" Flange	2.5"	50'	260
87109745-00	3NC-557P3	5.5	5	575	3	1750	60	3" Flange	2.5"	30'	246
87109745-01	3NC-557P3	5.5	5	575	3	1750	60	3" Flange	2.5"	50'	260

## PERFORMANCE



## DIMENSIONS



## PERFORMANCE CHART

HP	Performance GPM @ Height in Feet				
	10'	20'	30'	40'	50'
3	475	360	230	85	-
5	555	470	355	235	95

## NOMENCLATURE EXAMPLE

# 3NC-323P3

- 3-Phase
- 230 Volt
- 3 Horsepower
- 3" Flange Non-Clog

