

FPS

4NC SERIES SUBMERSIBLE NON-CLOG PUMPS

Franklin Electric's 4NC Series Non-Clog pumps are designed to handle the absolute most demanding commercial or industrial applications and are backed by Franklin's long-standing reputation for quality.





4NC SERIES PUMPS

APPLICATIONS

- Used for a multitude of purposes in commercial and industrial applications such as: sewage, effluent, irrigation, and general de-watering.

FEATURES

- Dual Mechanical Seals: Silicon carbide vs. silicon carbide lower seal and silicon carbide vs. silicon carbide upper seal with additional exclusion seal.
- Impeller: Ductile iron, two vane semi-open, balanced, non-clogging with pump-out vanes to protect the mechanical seal and assist with thrust loading.
- Seal Sensor Probe: Integrated into the seal-fail detection chamber, it will send a signal to the pump control panel indicating that a fault has occurred and the pump should be removed for service.
- Motor: The motor was designed for continuous operation when pump is fully submerged (104 °F maximum) and boasts Class F insulation.
- Wear Plate: Wear plate is field adjustable, eliminating the need for a replaceable wear ring.

SPECIFICATIONS

- 4" horizontal flange discharge (125# ANSI flange)
- Maximum solids size: 3"
- Power cable: 8/4 - type S00W
- Sensor cable: 16/4 - type S00W
- Class F motor insulation
- Continuous duty motor (104 °F maximum)
- Lower double row ball bearing
- AISI 420 SST motor shaft
- Seal-fail indication probe
- 300 Series SST fasteners
- Cast iron motor housing, volute, and seal chamber
- Fluoroelastomer (FKM) sealing system for motor enclosure
- Mechanical seals: Dual silicon carbide
- Additional exclusion seal
- Agency listing: cCSAus





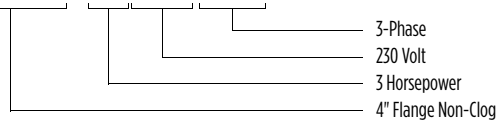
4NC SERIES PUMPS

MODEL INFORMATION

Item	Model	Amps	HP	Volts	Phase	RPM	Hz	Discharge	Solids	Cord Length	Weight (lb)
87109881-00	4NC-320P3	14	3	200	3	1750	60	4" Flange	3"	30'	249
87109881-01	4NC-320P3	14	3	200	3	1750	60	4" Flange	3"	50'	263
87109728-00	4NC-323P3	14	3	230	3	1750	60	4" Flange	3"	30'	249
87109728-01	4NC-323P3	14	3	230	3	1750	60	4" Flange	3"	50'	263
87109736-00	4NC-346P3	6.5	3	460	3	1750	60	4" Flange	3"	30'	249
87109736-01	4NC-346P3	6.5	3	460	3	1750	60	4" Flange	3"	50'	263
87109748-00	4NC-357P3	9.5	3	575	3	1750	60	4" Flange	3"	30'	249
87109748-01	4NC-357P3	9.5	3	575	3	1750	60	4" Flange	3"	50'	263
87109882-00	4NC-520P3	20	5	200	3	1750	60	4" Flange	3"	30'	253
87109882-01	4NC-520P3	20	5	200	3	1750	60	4" Flange	3"	50'	267
87109729-00	4NC-523P3	19.5	5	230	3	1750	60	4" Flange	3"	30'	253
87109729-01	4NC-523P3	19.5	5	230	3	1750	60	4" Flange	3"	50'	267
87109737-00	4NC-546P3	10	5	460	3	1750	60	4" Flange	3"	30'	253
87109737-01	4NC-546P3	10	5	460	3	1750	60	4" Flange	3"	50'	267
87109749-00	4NC-557P3	9.5	5	575	3	1750	60	4" Flange	3"	30'	253
87109749-01	4NC-557P3	9.5	5	575	3	1750	60	4" Flange	3"	50'	267
87109883-00	4NC-7520P3	24	7.5	200	3	1750	60	4" Flange	3"	30'	255
87109883-01	4NC-7520P3	24	7.5	200	3	1750	60	4" Flange	3"	50'	269
87109730-00	4NC-7523P3	23	7.5	230	3	1750	60	4" Flange	3"	30'	255
87109730-01	4NC-7523P3	23	7.5	230	3	1750	60	4" Flange	3"	50'	269
87109738-00	4NC-7546P3	11.5	7.5	460	3	1750	60	4" Flange	3"	30'	255
87109738-01	4NC-7546P3	11.5	7.5	460	3	1750	60	4" Flange	3"	50'	269
87109750-00	4NC-7557P3	11	7.5	575	3	1750	60	4" Flange	3"	30'	255
87109750-01	4NC-7557P3	11	7.5	575	3	1750	60	4" Flange	3"	50'	269
87109884-00	4NC-1020P3	27.5	10	200	3	1750	60	4" Flange	3"	30'	255
87109884-01	4NC-1020P3	27.5	10	200	3	1750	60	4" Flange	3"	50'	269
87109731-00	4NC-1023P3	26	10	230	3	1750	60	4" Flange	3"	30'	255
87109731-01	4NC-1023P3	26	10	230	3	1750	60	4" Flange	3"	50'	269
87109739-00	4NC-1046P3	13	10	460	3	1750	60	4" Flange	3"	30'	255
87109739-01	4NC-1046P3	13	10	460	3	1750	60	4" Flange	3"	50'	269
87109751-00	4NC-1057P3	10.5	10	575	3	1750	60	4" Flange	3"	30'	255
87109751-01	4NC-1057P3	10.5	10	575	3	1750	60	4" Flange	3"	50'	269

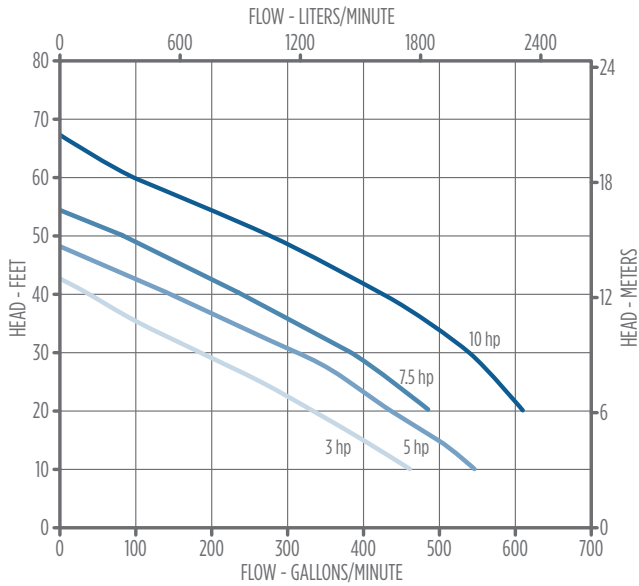
NOMENCLATURE EXAMPLE

4NC-323P3

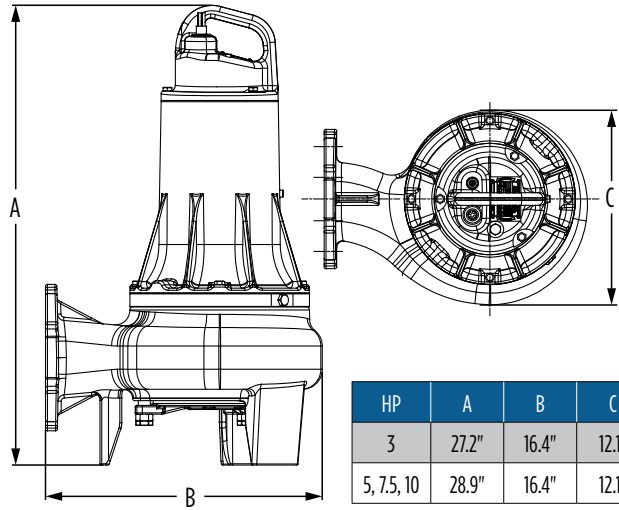


4NC SERIES PUMPS

PERFORMANCE



DIMENSIONS



PERFORMANCE CHART

HP	Performance GPM @ Height in Feet					
	10'	20'	30'	40'	50'	60'
3	455	330	195	34	-	-
5	545	434	309	141	-	-
7.5	-	495	395	240	94	-
10	-	610	540	430	290	100

