

ENGINEERED PRODUCTS: IGPDS MANUAL SERIES

APPLICATIONS

Engineered Products IGPDS Series Grinder Pumps are ideal for sewage waste transfer

FEATURES

- Upper and lower mechanical seals minimize downtime and maintenance
- Sensor probe designed to indicate early leak detection
- Externally-mounted start components*
- Corrosion-resistant brass impeller
- Tight cutting clearances for superior grinding at 414,000 cuts per minute
- Epoxy-coated finish for corrosion resistance and durability
- Built-in overload protection prevents over-current and over-temperature damage

**The IGPDS Series requires a specific control panel or capacitor kit from FPS that is matched to the pump for proper operation and third-party approval.*

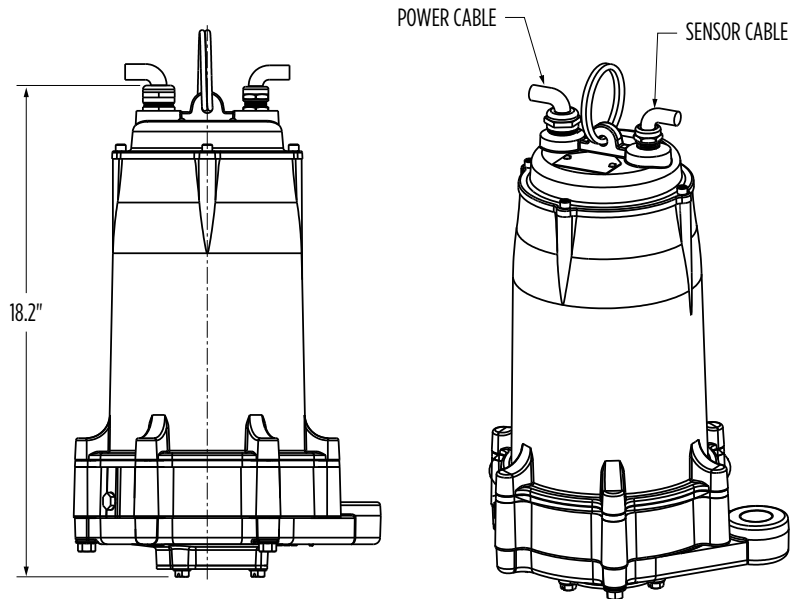
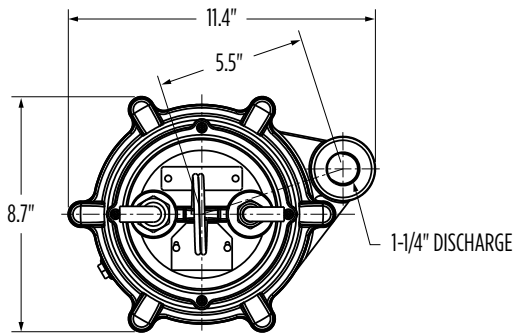
CONSTRUCTION

Pump Housing	Cast iron with epoxy paint coating
Volute	Cast iron with epoxy paint coating
Impeller	Brass with pressure relief vanes
Motor	3450 rpm with automatic high-temperature protection
Hardware	300 Series stainless steel
Bearings	Upper and lower ball
Shaft Seals	Upper: Type 21, mechanical, spring-loaded, rotating carbon with fluoroelastomer (FKM) bellows, and stationary ceramic with fluoroelastomer (FKM) O-ring. Lower: Rotating silicon carbide with fluoroelastomer (FKM) and stationary silicon carbide with fluoroelastomer (FKM) O-ring.
Power Cord	Sensor cord: 18 AWG 2-conductor, copper, stranded Pump: 14 AWG 4-conductor, copper, stranded
Cooling	The motor housing contains a dielectric oil to cool the motor and lubricate the bearings and seals. The pump is capable of operating with the motor housing partially exposed for extended periods of time, providing sufficient motor cooling and bearing lubrication. However, for the best cooling and motor life, the liquid level being pumped should normally be above the top of the cast iron motor cover.
Cutters	440C stainless steel, hardened to Rockwell 60C



ENGINEERED PRODUCTS: IGPDS MANUAL SERIES

ENGINEERING DATA



MODEL INFORMATION

Item No.	Model No.	HP	Volts	Hz	PH	Cord Length (ft)	Full Load (Amps/Watts)	Wt. (lbs)
515722	IGPDS-M231-30	2	208-230	60	1	30	13.9/3200	111
515723	IGPDS-M231-50					50	13.9/3200	118
515724	IGPDS-M233-30					3	10.0/1300	111
515725	IGPDS-M233-50					3	10.0/1300	118
515726	IGPDS-M463-30					3	4.5/1025	111
515727	IGPDS-M463-50					3	4.5/1025	118
515728	IGPDS-M575-30					3	3.0/850	111
515729	IGPDS-M575-50					3	3.0/850	118

Performance (GPM @ Head)								Shut-Off (ft)	PSI
10'	20'	40'	60'	80'	100'	120'			
33	32	31	30	25	20	10	130	56	

PERFORMANCE DATA

