

CENTRIFUGAL PUMPS

CLOSE-COUPLED FBC SERIES



FEATURES

- Flow range from 40–200 gpm covers a wide variety of pumping applications
- High efficiency performance design for reduced lifetime cost of operation
- Threaded NPT connection volute, 2.5" suction x 2" discharge accepts standard pipe fittings
- Volute can be rotated in 90° increments to simplify discharge plumbing
- 1/4" ports provide for pressure fitting and/or drain line connections
- Suitable for horizontal or vertical mounting for versatility of installation
- Robust cast iron volute and motor bracket with integral mounting feet for ease of installation
- Back pull-out design enables serviceability without disconnecting plumbing
- 316SS impeller is suitable for handling a wide variety of fluids without corrosion or electrolysis and is resistant to the effects of cavitation
- Mechanical seal constructed of SiC/SiC/FKM/316SS (KFM silicon carbide), can withstand mild abrasives and is suitable for handling a variety of fluids, including those containing hydrocarbons
- NEMA 56J threaded shaft motors with 316SS shaft extension make for a compact pump unit
- 1800 and 3600 RPM fixed-speed motors provide for a wide range of hydraulics
- Motors are available in both ODP and TEFC enclosures to best fit the operating environment
- Three-phase motors offer a premium efficient design, have Class F insulation, and are rated as Inverter Ready for use with variable frequency drives
- Pumps are 100% wet tested at the factory to ensure quality and reliability



SPECIFICATIONS

- Capacities to 200 gpm
- Heads to 80 feet
- 150 psi maximum working pressure
- 212 °F maximum temperature
- 3/8" maximum spherical solids handling (in low concentration)

APPLICATIONS

- Pressure Boosting
- Water Recirculation
- Water Supply and Treatment
- Irrigation
- Water Feature
- Fuel/Oil Transfer

Quick Select Pump Page Finder

Series	Nominal RPM	Flow (GPM)	Head (ft)	HP	Dis. x Suc.	Impeller Max Dia.	Pages		
							Performance	Dimensions/Order Information	Repair Parts/Motor Data
FBC	3600	50 - 200	20 - 80	1.5 - 3	2" x 2.5"	4.5"	2	4	5 - 6
	1800	40 - 110	7 - 22	.25 - .5	2" x 2.5"	4.5"	3		

CENTRIFUGAL PUMPS

CLOSE-COUPLED FBC SERIES

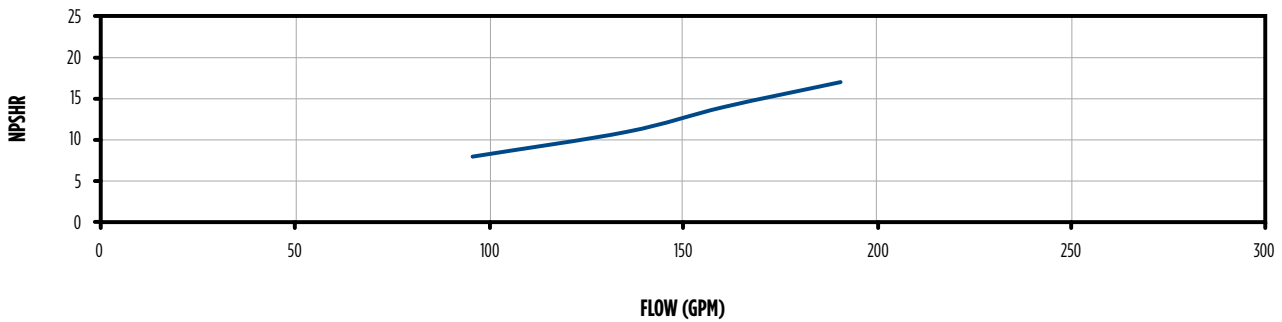
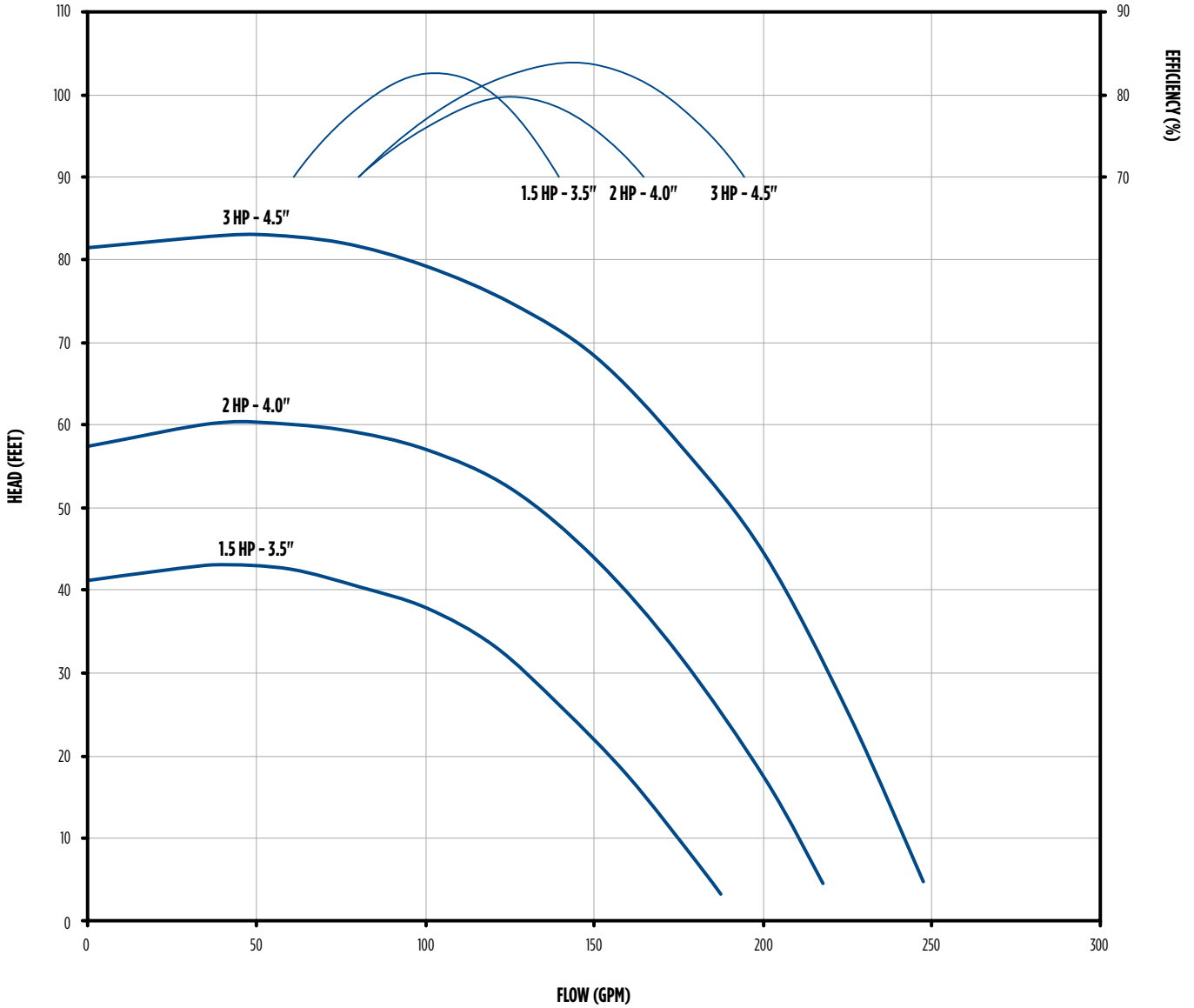
MENU



PERFORMANCE

2-POLE

Basic Model	PEI _{CL} Number
FBC	0.87



CENTRIFUGAL PUMPS

CLOSE-COUPLED FBC SERIES

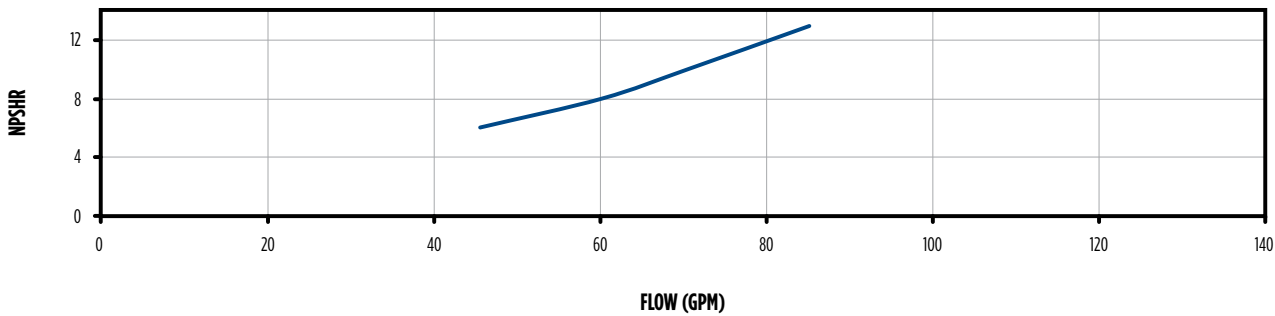
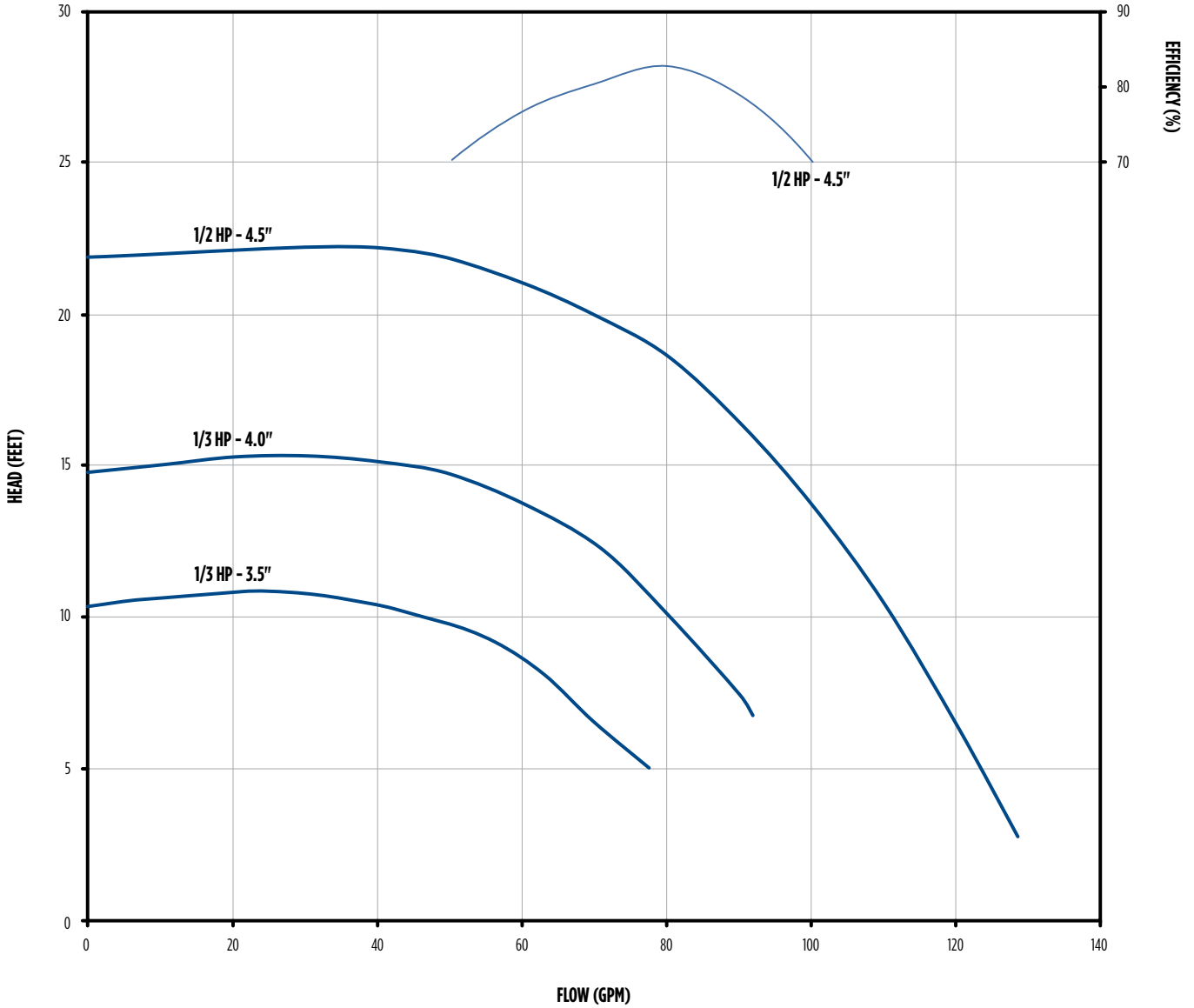
MENU



PERFORMANCE

4-POLE

Basic Model	PEI _{CL} Number
FBC	0.87



CENTRIFUGAL PUMPS

CLOSE-COUPLED FBC SERIES

☰ MENU



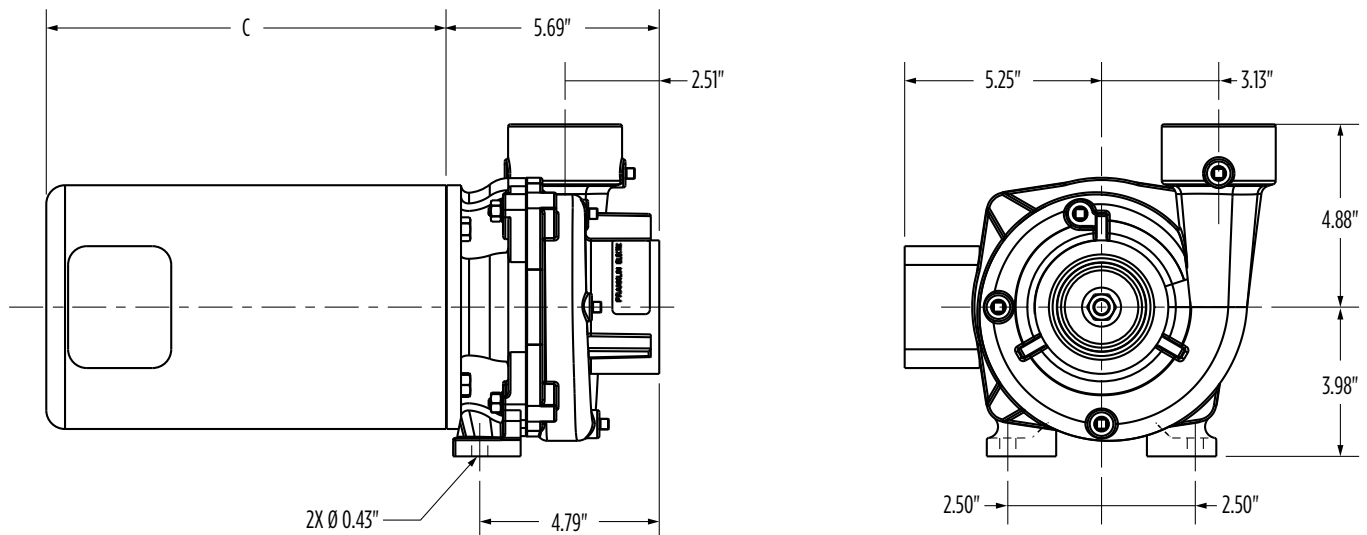
MODEL NOMENCLATURE

F B C L - 3 0 0 T E

Motor Enclosure: E = TEFC, Blank = ODP
 Phase: S = Single, T = Three, 5 = 575 V
 HP: 25 = 1/4, 33 = 1/3, 50 = 1/2, 150 = 1-1/2, 200 = 2, 300 = 3
 Blank = 3600 RPM, L = 1800 RPM
 Pump Series

DIMENSIONS/ORDER INFORMATION

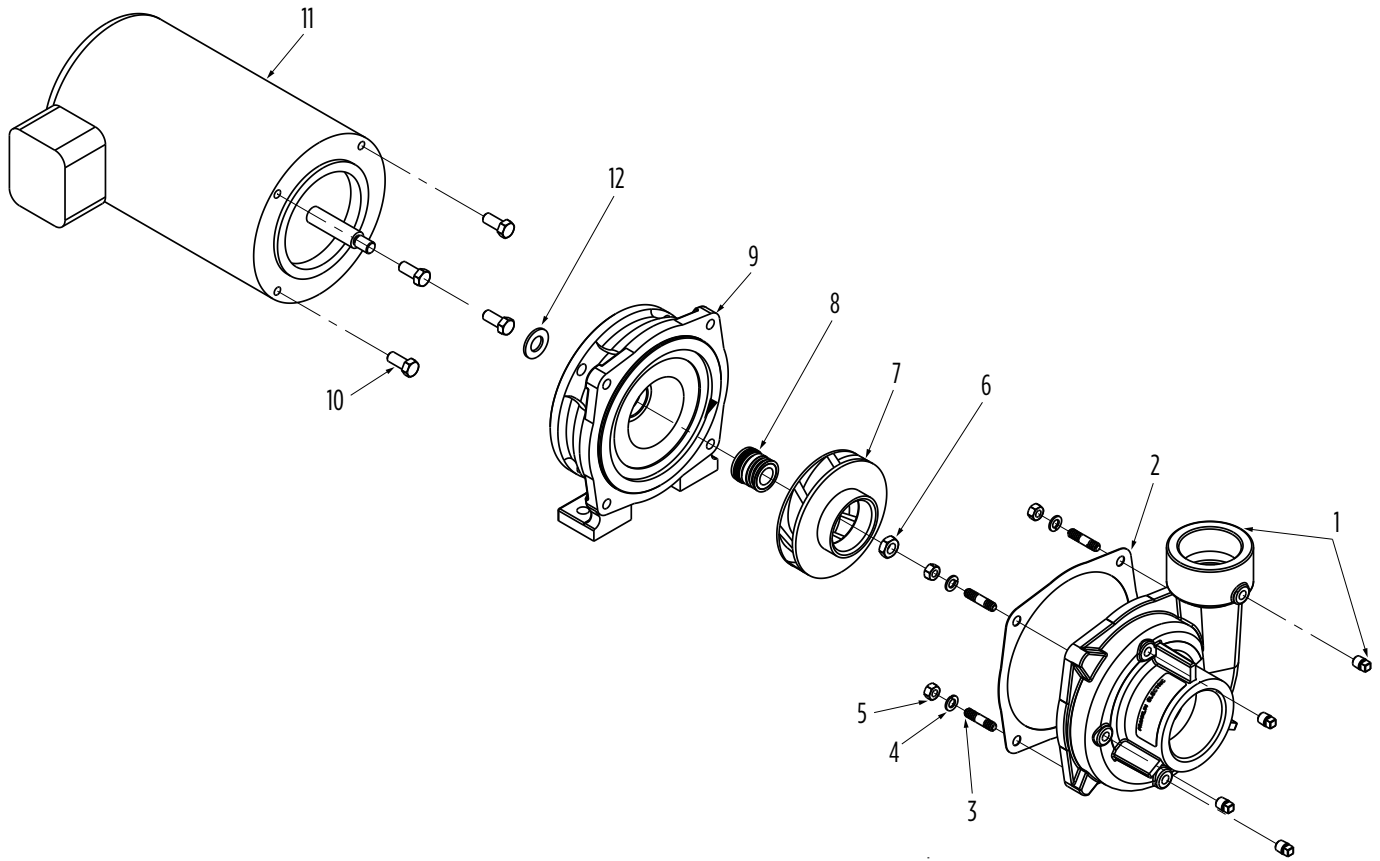
Frame Size	RPM	Enclosure	Phase	Volts	HP	Pump Model No.	Ordering No.	Wt. (lbs)	"C" Dimension (in)	Basic Model	PEI _{CL} Number
56J	1800	TEFC	1	115/230	1/3	FBCL-25SE	96555002	47	11.85	FBC	0.87
				115/230	1/3	FBCL-33SE	96555003	47	11.85		
				115/230	1/2	FBCL-50SE	96555005	52	12.85		
			3	230/460	1/3	FBCL-25TE	96556002	46	11.85		
				230/460	1/3	FBCL-33TE	96556003	46	11.85		
				230/460	1/2	FBCL-50TE	96556005	48	11.85		
	3600	ODP	1	115/230	1-1/2	FBC-150S	96551015	61	13.89		
				115/230	2	FBC-200S	96551020	70	13.25		
				230	3	FBC-300S	96551030	77	14.13		
			3	230/460	1-1/2	FBC-150T	96553015	55	13.22		
				230/460	2	FBC-200T	96553020	60	13.72		
				230/460	3	FBC-300T	96553030	67	13.72		
	3600	TEFC	1	115/230	1-1/2	FBC-150SE	96552015	70	13.74		
				115/230	2	FBC-200SE	96552020	79	14.62		
				230	3	FBC-300SE	96552030	79	13.12		
			3	230/460	1-1/2	FBC-150TE	96554015	63	12.72		
				230/460	2	FBC-200TE	96554020	66	13.74		
				230/460	3	FBC-300TE	96554030	75	14.62		



CENTRIFUGAL PUMPS

CLOSE-COUPLED FBC SERIES

MENU



REPAIR PARTS

Figure No.	Part Description	Part No.	Materials of Construction
1	Volute w/Pipe Plugs (installed)	305462047	Cast iron, ASTM-A48 CL30
2	Gasket	305462062	Reinforced cellulose w/nitrile binder
3	Studs (4 pack)	305462224	Zinc-plated steel
4	Lock Washer (4 pack)	305463092	Zinc-plated steel
5	Nut (4 pack)	305463062	Zinc-plated steel
6	Lock Nut, Impeller	305462062	304 Stainless steel
7A	Impeller Kit, 4.5" trim, 3 hp, 2 pole; 1/2 hp, 4 pole	305462059	316 Stainless steel
7B	Impeller Kit, 4.0" trim, 2 hp, 2 pole; 1/3 hp, 4 pole	305462060	316 Stainless steel
7C	Impeller Kit, 3.5" trim, 1.5 hp, 2 pole; 1/4 hp, 4 pole	305462061	316 Stainless steel
8	Mechanical Seal Assembly	305463029	SiC/SiC/FKM/300 series stainless steel
9	Motor Bracket	305462049	Cast iron, ASTM-A48 CL30
10	Bolts, Motor Bracket	305462051	Zinc-plated steel
11	Motor (56J Frame)	See Motor Section	Misc.
12	Slinger	305453013	Neoprene

CENTRIFUGAL PUMPS

CLOSE-COUPLED FBC SERIES

☰ MENU



REPLACEMENT MOTORS

Frame Size	RPM	Enclosure	Phase	Volts	HP	Pump Model No.	Motor Part No.	Inverter Rated	FLA	SFA
56J	1800	TEFC	1	115/230	1/3	FBC-25SE	JL3501A	-	6/3	6.8/3.4
				115/230	1/3	FBC-35SE	JL3501A	-	6/3	6.8/3.4
				115/230	1/2	FBC-50SE	JL3504A	-	7.4/3.7	8.2/4.1
			3	230/460	1/3	FBC-25TE	JM3458	No	1.6/8	1.8/9
				230/460	1/3	FBC-33TE	JM3458	No	1.6/8	1.8/9
				230/460	1/2	FBC-50TE	JM3461	No	2/1.2	2.4/1.2
	3600	ODP	1	115/230	1-1/2	FBC-150S	JL1313A	-	13/6.5	17/8.5
				115/230	2	FBC-200S	JL1317A	-	26/13	27.6/13.8
				230	3	FBC-300S	JL1323A	-	13	14.8
			3	230/460	1-1/2	FBC-150T	JM3120	No	4.4/2.2	5.4/2.7
				230/460	2	FBC-200T	JM3155	No	5.4/2.7	6.2/3.1
				230/460	3	FBC-300T	JM3158	No	8/4	9/4.5
	3600	TEFC	1	115/230	1-1/2	FBC-150SE	JL3513A	-	16.6/8.8	16.6/8.8
				115/230	2	FBC-200SE	JL3515A	-	23/11.5	23/11.5
				230	3	FBC-300SE	204219	-	12	13.8
			3	230/460	1-1/2	FBC-150TE	EJM3550	Yes	3.8/1.9	4.8/2.4
				230/460	2	FBC-200TE	EJM3555	Yes	5/2.5	5.8/2.9
				230/460	3	FBC-300TE	EJM3559	Yes	7.2/3.6	8.2/4.1

NOTES

CLOSE-COUPLED FBC SERIES





Franklin Electric