

CENTRIFUGAL PUMPS

SELF-PRIMING FBSE (1/2-3 HP)

FPS

FEATURES

- Volute: Cast iron construction with tapped openings for priming, venting, and draining
- Impeller: Semi-open cast iron; ideal for handling fertilizer, salt water, dirty water, and other liquids; blind-hole tapped so liquid will not corrode the shaft
- Seal: Standard carbon/ceramic faces, FKM elastomers, and 300-series stainless steel components
- Motor: Reliable, industry-standard; range of 1/2-3 hp; higher than NEMA service factor



SPECIFICATIONS

- Capacities to 126 gpm
- Heads to 70 feet
- 75 psi maximum working pressure
- 212 °F maximum temperature
- Clockwise rotation when viewed from motor end
- NPT pipe connections

APPLICATIONS

- Irrigation
- Construction
- Mining
- Commercial
- Municipal
- Light Industrial
- Residential

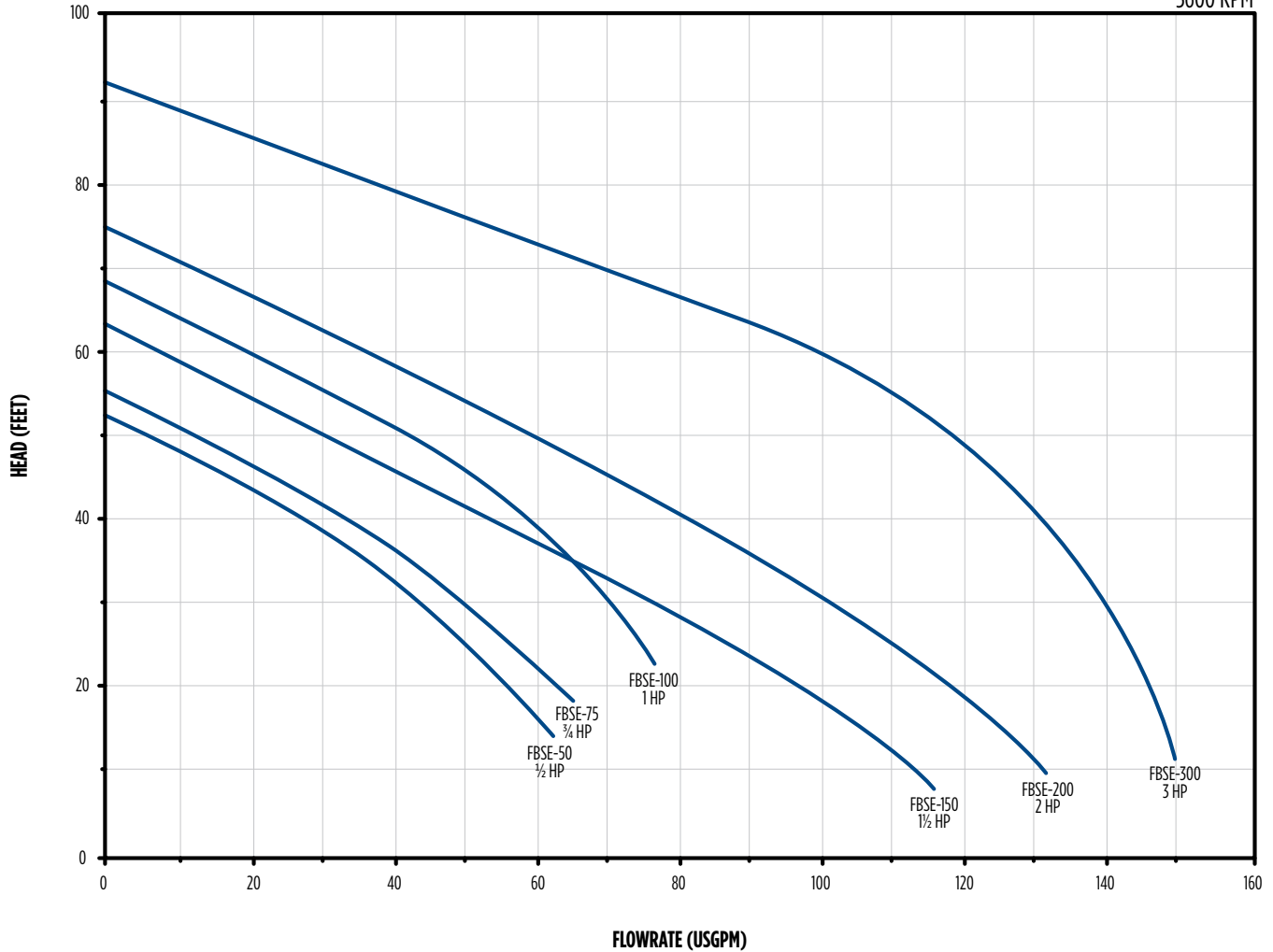
CENTRIFUGAL PUMPS

SELF-PRIMING FBSE (1/2-3 HP)



ORDER INFORMATION

3600 RPM



CENTRIFUGAL PUMPS

SELF-PRIMING FBSE (1/2-3 HP)



ORDER INFORMATION

Model	HP	Frame		Enclosure	PH	Volts	Max Amps	Dis. x Suc. (NPT)	Max Solids	Order No.	Wt. (lbs)
FBSE-50-S	1/2	Sq. Flg.	48Y	ODP	1	115/230	12.4/6.2	1-1/4" x 1-1/4"	0.25"	92931005	41
FBSE-75-S	3/4	Sq. Flg.	48Y	ODP	1	115/230	14.8/7.4	1-1/4" x 1-1/4"	0.35"	92931007	42
FBSE-100-S	1	Sq. Flg.	48Y	ODP	1	115/230	19.9/9.5	1-1/4" x 1-1/4"	0.50"	92931010	46
FBSE-150-S	1-1/2	Sq. Flg.	48Y	ODP	1	115/230	24.0/12.0	2" x 2"	0.30"	92931015	52
FBSE-200-S	2	Sq. Flg.	48Y	ODP	1	230	11.2	2" x 2"	0.47"	92931020	60
FBSE-300-S	3	C-Face	56J	ODP	1	230	13.5	2" x 2"	0.75"	92931030	70
FBSE-300-T	3	C-Face	56J	ODP	3	208-230/460	9/4.5	2" x 2"	0.75"	92933030	60

ORDER INFORMATION

PUMP ENDS

Model	HP	Motor Frame		Dis. x Suc. (NPT)	Max Solids	Order No.	Wt. (lbs)
FBSE-50-K	1/2	C-Face	56J	1-1/4" x 1-1/4"	0.25"	92925005	18
FBSE-75-K	3/4	C-Face	56J	1-1/4" x 1-1/4"	0.35"	92925007	18
FBSE-100-K	1	C-Face	56J	1-1/4" x 1-1/4"	0.50"	92925010	18
FBSE-150-K	1-1/2	C-Face	56J	1-1/4" x 1-1/4"	0.30"	92925015	18
FBSE-200-K	2	C-Face	56J	2" x 2"	0.47"	92925020	22
FBSE-300-K	3	C-Face	56J	2" x 2"	0.75"	92925030	25

NOTE: FBSE pump end kits (less motor) use 56J C face motors

CENTRIFUGAL PUMPS

SELF-PRIMING FBSE (1/2-3 HP)



DIMENSIONS

FIG. 1

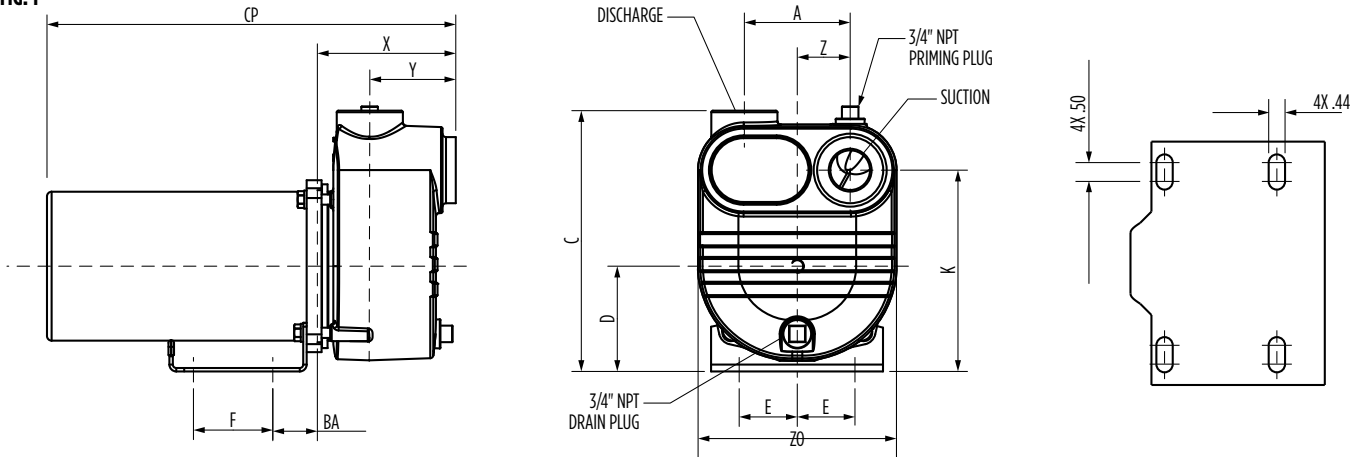
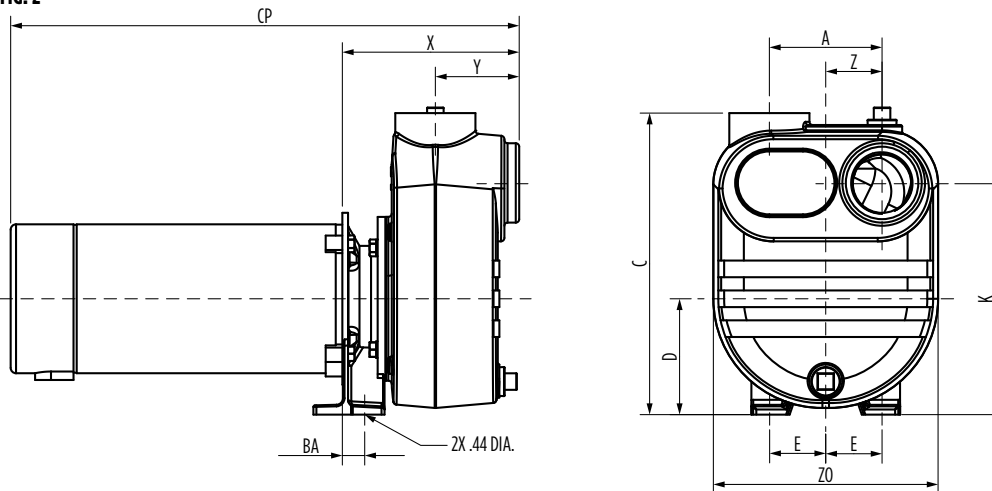


FIG. 2



Model	Fig.	Dis. x Suc. (NPT)	Dimensions (in)											
			CP	A	BA	C	D	E	F	K	X	Y	Z	Z0
FBSE-50-S	1	1-1/4" x 1-1/4"	15.46	4.00	1.69	9.86	3.98	2.20	3.00	7.61	5.23	3.25	2.00	7.50
FBSE-75-S	1	1-1/4" x 1-1/4"	15.96	4.00	1.69	9.86	3.98	2.20	3.00	7.61	5.23	3.25	2.00	7.50
FBSE-100-S	1	1-1/4" x 1-1/4"	16.96	4.00	1.69	9.86	3.98	2.20	3.00	7.61	5.23	3.25	2.00	7.50
FBSE-150-S	1	2" x 2"	17.91	4.26	1.69	11.00	3.98	2.20	3.00	8.36	5.44	3.17	2.13	8.50
FBSE-200-S	1	2" x 2"	19.16	4.26	1.69	11.00	3.98	2.20	3.00	8.36	5.44	3.17	2.13	8.50
FBSE-300-S	2	2" x 2"	19.23	4.26	0.85	11.44	4.38	2.13	N/A	8.37	6.69	3.17	2.13	8.50
FBSE-300-T	2	2" x 2"	20.43	4.26	0.85	11.44	4.38	2.13	N/A	8.37	6.69	3.17	2.13	8.50

NOTE: Dimensions are for estimating purposes only

CENTRIFUGAL PUMPS

SELF-PRIMING FBSE (1/2-3 HP)



REPAIR PARTS

1/2-2 HP

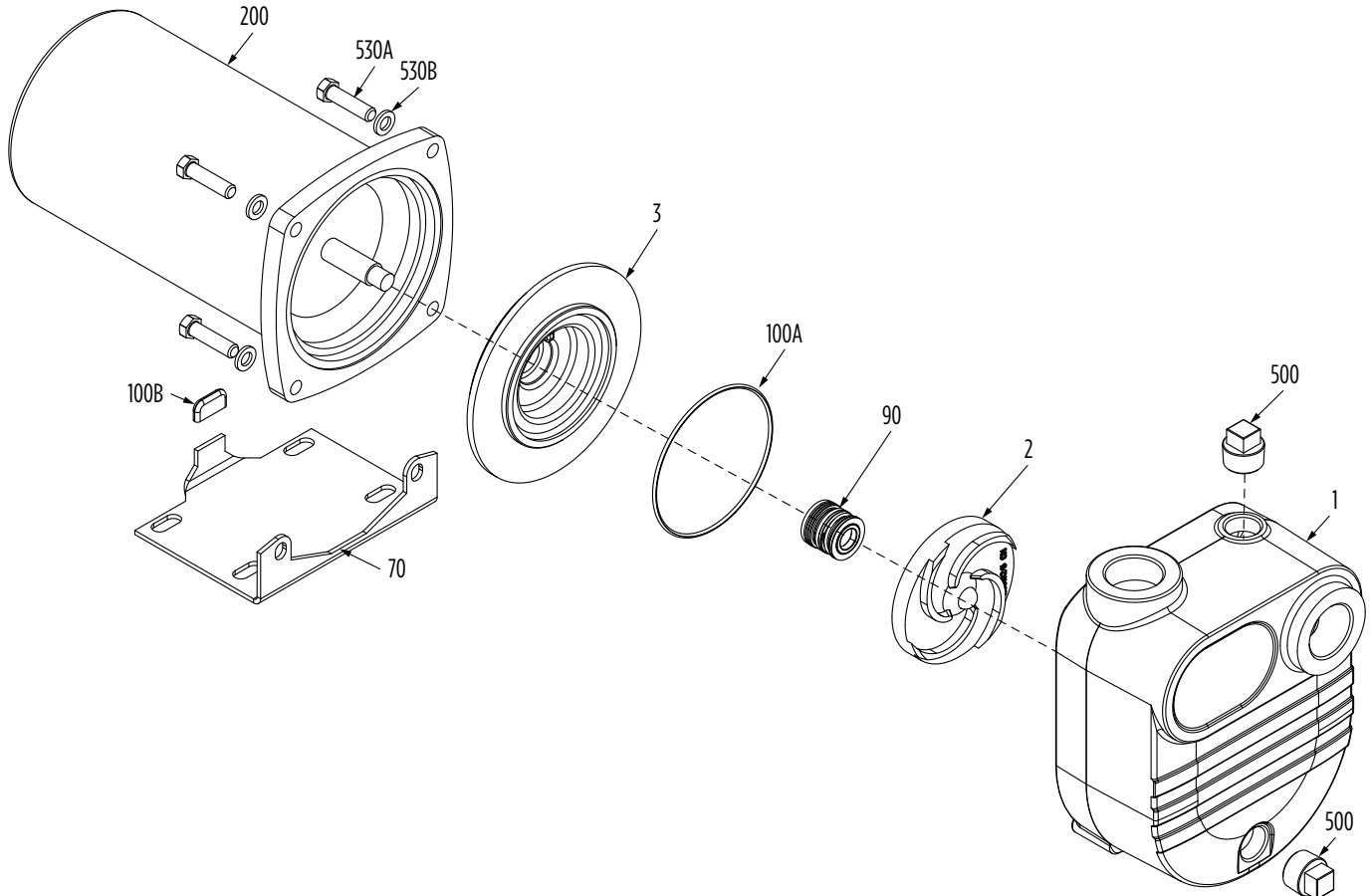


Fig. No.	Part Description	Part No.					Materials of Construction
		FBSE-50	FBSE-75	FBSE-100	FBSE-150	FBSE-200	
1	Pump Case		305461001			305461002	Cast iron, ASTM-A48 CL30
2	Impeller	305461003	305461004	305461005	305461006	305461007	Cast iron, ASTM-A48 CL30
3	Seal Plate		305461008			305461009	Cast iron, ASTM-A48 CL30
70	Motor Base			305461010			CRS
90	Mechanical Shaft Seal			305463029			GL-SiC/GL-SiC x FKM-SS
100A	O-Ring		305463292			305463294	Nitrile
100B	Base Protector			305463134			Vinyl
200	Motor 48Y Sq. Fig., 1 PH	305374903	305446956	305446957	305374909	305446959	Misc.
500	Pipe Plug 3/4\" NPT (2-Pack)			305463050			CAD-plated steel
530A	Hex Bolt/Stud - Volute (4-Pack)		305463179			305463136	Zinc-plated steel
530B	Bracket Lockwasher			305463137			Zinc-plated steel
530C	Hex Nut		-			305463033	Zinc-plated steel

Pre-May 2019

100A	Case Gasket		305463133			305463124	EPDM
------	-------------	--	-----------	--	--	-----------	------

CENTRIFUGAL PUMPS

SELF-PRIMING FBSE (1/2-3 HP)



REPAIR PARTS

3 HP

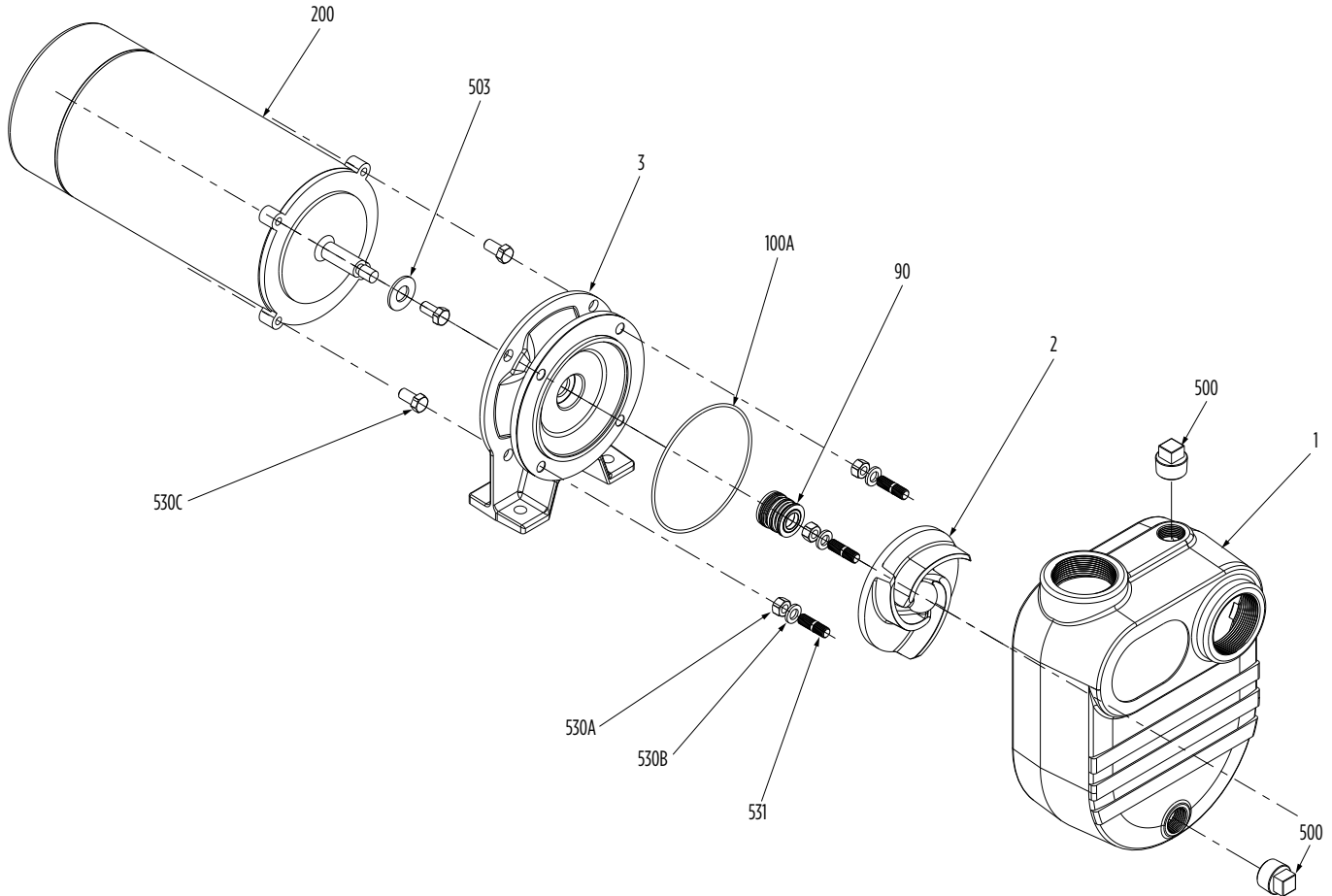


Fig. No.	Part Description	Part No.	Materials of Construction
		FBSE-300	
1	Pump Case includes Studs, Lock Washers, and Nuts	305460033	Cast iron, ASTM-A48 CL30
2	Impeller	305453054	Cast iron, ASTM-A48 CL30
3	Adapter	305715008	Cast iron, ASTM-A48 CL30
90	Mechanical Shaft Seal	305463029	GL-SiC/GL-SiCxVITON-SS
100A	O-ring	305463294	Nitrile
200	Motor 3 hp, 230 V, 1 PH, 56J	SAB818	Misc.
200	Motor 3 hp, 208-230/460 V, 3 PH, 56J	218781	Misc.
500	Pipe Plug 3/4" NPT (3-Pack)	305463050	Zinc-plated steel
503	Water Singer	305463005	Neoprene
530A	Hex Nut, Pump Case (4-Pack)	305453236	300 series stainless steel
530B	Lock Washer, Pump Case (4-Pack)	305463137	Zinc-plated steel
530C	Hex Bolt - Bracket (4-Pack)	305463030	Zinc-plated steel
531	Studs	305463129	Zinc-plated steel

Pre-May 2019

1	Pump Case	305460001	Cast iron, ASTM-A48 CL30
100A	Case Gasket	305463124	Vegetable fiber

CENTRIFUGAL PUMPS

SELF-PRIMING FBSE (1/2-3 HP)



REPAIR PARTS

PUMP END KIT

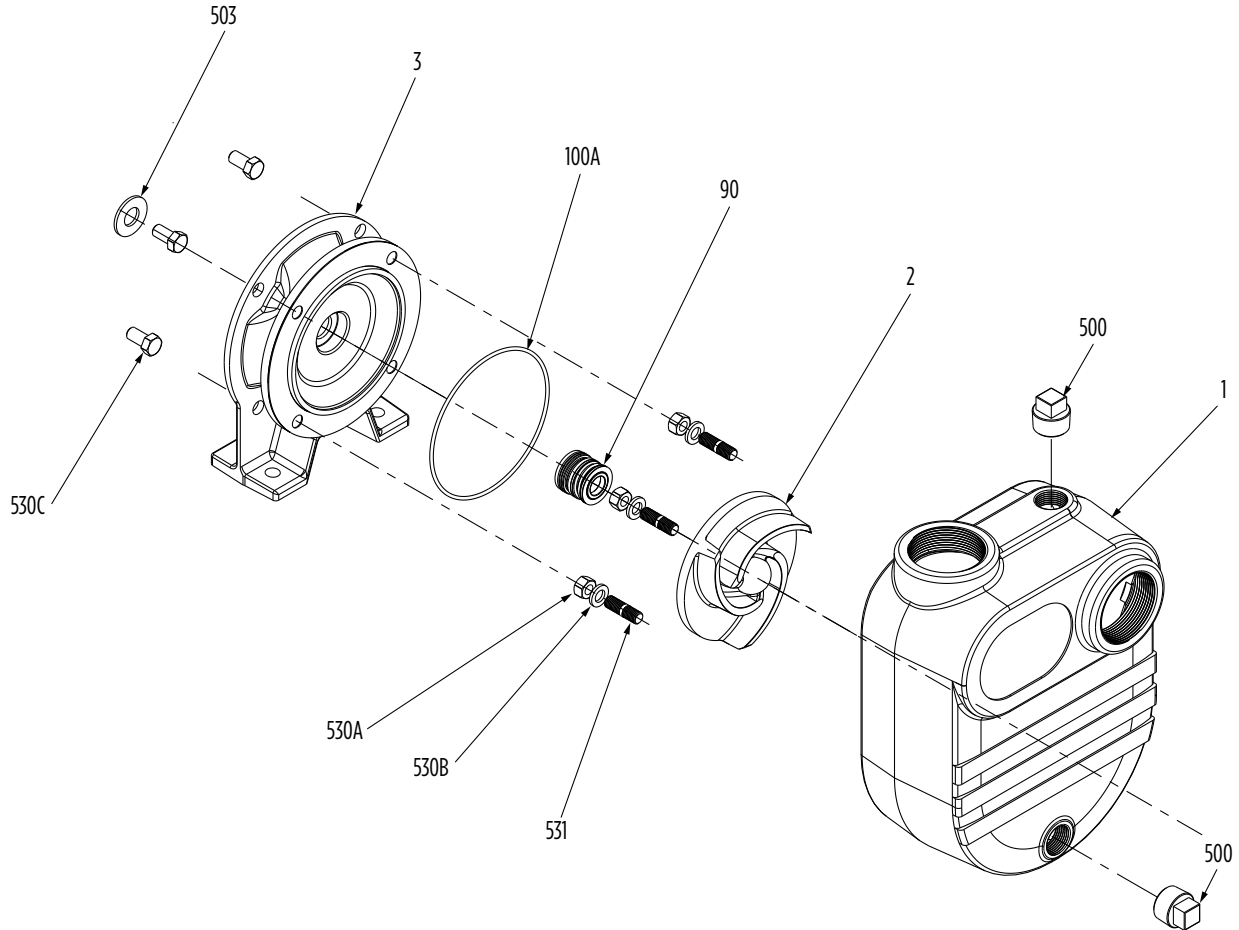


Fig. No.	Part Description	Part No.						Materials of Construction
		FBSE-50K	FBSE-75K	FBSE-100K	FBSE-150K	FBSE-200K	FBSE-300K	
1	Pump Case	305715001			305460033			Cast Iron, ASTM-A48 CL30
2	Impeller	305461024	305453002	305453053	305715003	305715004	305453054	Cast Iron, ASTM-A48 CL30
3	Adapter	305715007			305715008			Cast Iron, ASTM-A48 CL30
90	Mechanical Shaft Seal	305463029						GL-SiC/GL-SiCxVITON-SS
100A	O-Ring	305463292			305463294			Nitrile
500	Pipe Plug 3/4" NPT (3-Pack)	305463050						Zinc-plated steel
503	Water Singer	305463005						Neoprene
530A	Hex Nut - Volute (4-Pack)	305463236						Zinc-plated steel
530B	Volute Lock Washer (4-Pack)	305463137						Zinc-plated steel
530C	Hex Bolt - Bracket (4-Pack)	305463030						Zinc-plated steel
531	Studs	305463129						Zinc-plated steel

NOTE: Pump end kits utilize 56J motors

Pre-May 2019

1	Pump Case	305715001			305460001			Cast Iron, ASTM-A48 CL30
100A	Gasket, Case	305463133			305463124			Vegetable fiber

