



MH SERIES (15-30-45 GPM)

HORIZONTAL MULTI-STAGE PUMPS





MH SERIES (15-30-45 GPM) HORIZONTAL MULTI-STAGE PUMPS

The FPS MH Series, Multi-Stage Booster Pump is designed to meet your pressure boosting needs. The stainless steel construction offers high performance in a wide variety of applications. The MH Series is offered in three flow rates and five different horsepower sizes in 1-phase or 3-phase to make sure you can have the right pump to fit your application.

FEATURES

- All 300 Series Stainless Steel wetted components
- High Service Factor motors
- Able to pump fluids at temperatures up to 225 °F
- Can operate in suction lift installation up to 10 feet
- Available in 3 flow rates: 15, 30 and 45 gpm
- 5 motor hp size options in 1-phase or 3-phase
- High pressure capabilities – 140 psi
- Certified for indoor and outdoor use

APPLICATIONS

- Pressure Boosting
- Water Transfer
- Turf Irrigation
- Residential Lawn Sprinkler Systems
- Wash Down Applications
- Commercial Water Features
- Fountains



SINGLE-PHASE ORDERING INFORMATION

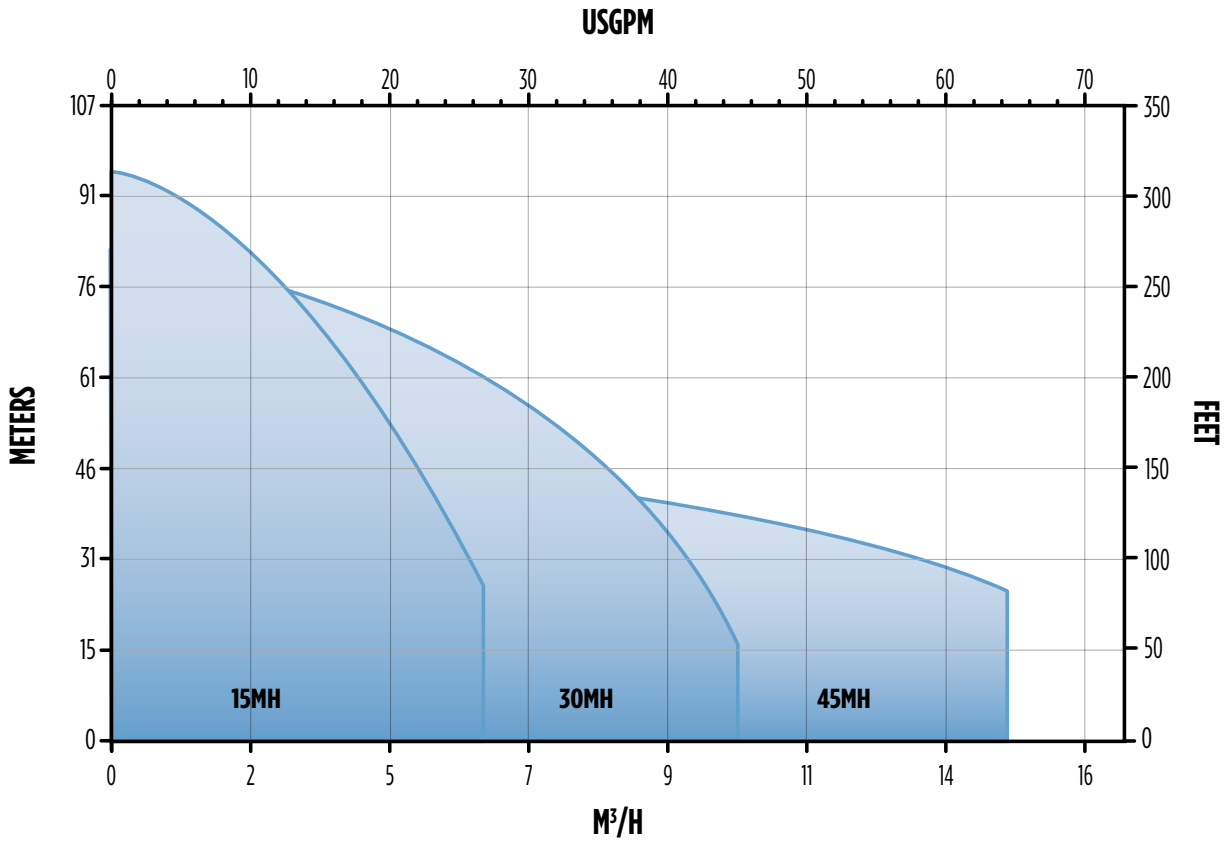
GPM	Suction x Discharge	HP	Stages	Voltage	S.F.A	Model No.	Order No.	Wt. (lbs.)
15	1.25" x 1"	0.5	2	115/230	9.4/4.7	15FMH05S2	96061500	22
		0.75	3	115/230	12.4/6.2	15FMH07S3	96061501	25
		1	4	115/230	14.8/7.4	15FMH1S4	96061502	29
		1.5	5	115/230	19.9/9.95	15FMH1S5	96061503	35
		2	6	115/230	24.0/12.0	15FMH2S6	96061504	40
30	1.25" x 1"	0.75	2	115/230	12.4/6.2	30FMH07S2	96063000	25
		1	3	115/230	14.8/7.4	30FMH1S3	96063001	33
		1.5	4	115/230	19.9/9.95	30FMH1S4	96063002	37
		2	5	115/230	24.0/12.0	30FMH2S5	96063003	41
45	1.50" x 1.25"	1.5	2	115/230	19.9/9.95	45FMH1S5	96064500	33
		2	3	115/230	24.0/12.0	45FMH2S3	96064501	39

THREE-PHASE ORDERING INFORMATION

GPM	Suction x Discharge	HP	Stages	Voltage	S.F.A	Model No.	Order No.	Wt. (lbs.)
15	1.25" x 1"	0.5	2	208-230/460	3.0/1.5	15FMH05S2-T	96061510	24
		0.75	3	208-230/460	3.6/1.8	15FMH07S3-T	96061511	24
		1	4	208-230/460	4.7/2.35	15FMH1S4-T	96061512	29
		1.5	5	208-230/460	6.8/3.4	15FMH1S5-T	96061513	34
		2	6	208-230/460	8.5/4.25	15FMH2S6-T	96061514	42
30	1.25" x 1"	0.75	2	208-230/460	3.6/1.8	30FMH07S2-T	96063010	24
		1	3	208-230/460	4.7/2.35	30FMH1S3-T	96063011	33
		1.5	4	208-230/460	6.8/3.4	30FMH1S4-T	96063012	36
		2	5	208-230/460	8.5/4.25	30FMH2S5-T	96063013	43
45	1.50" x 1.25"	1.5	2	208-230/460	6.8/3.4	45FMH1S5-T	96064510	32
		2	3	208-230/460	8.5/4.25	45FMH2S3-T	96064511	41

MH SERIES (15-30-45 GPM) HORIZONTAL MULTI-STAGE PUMPS

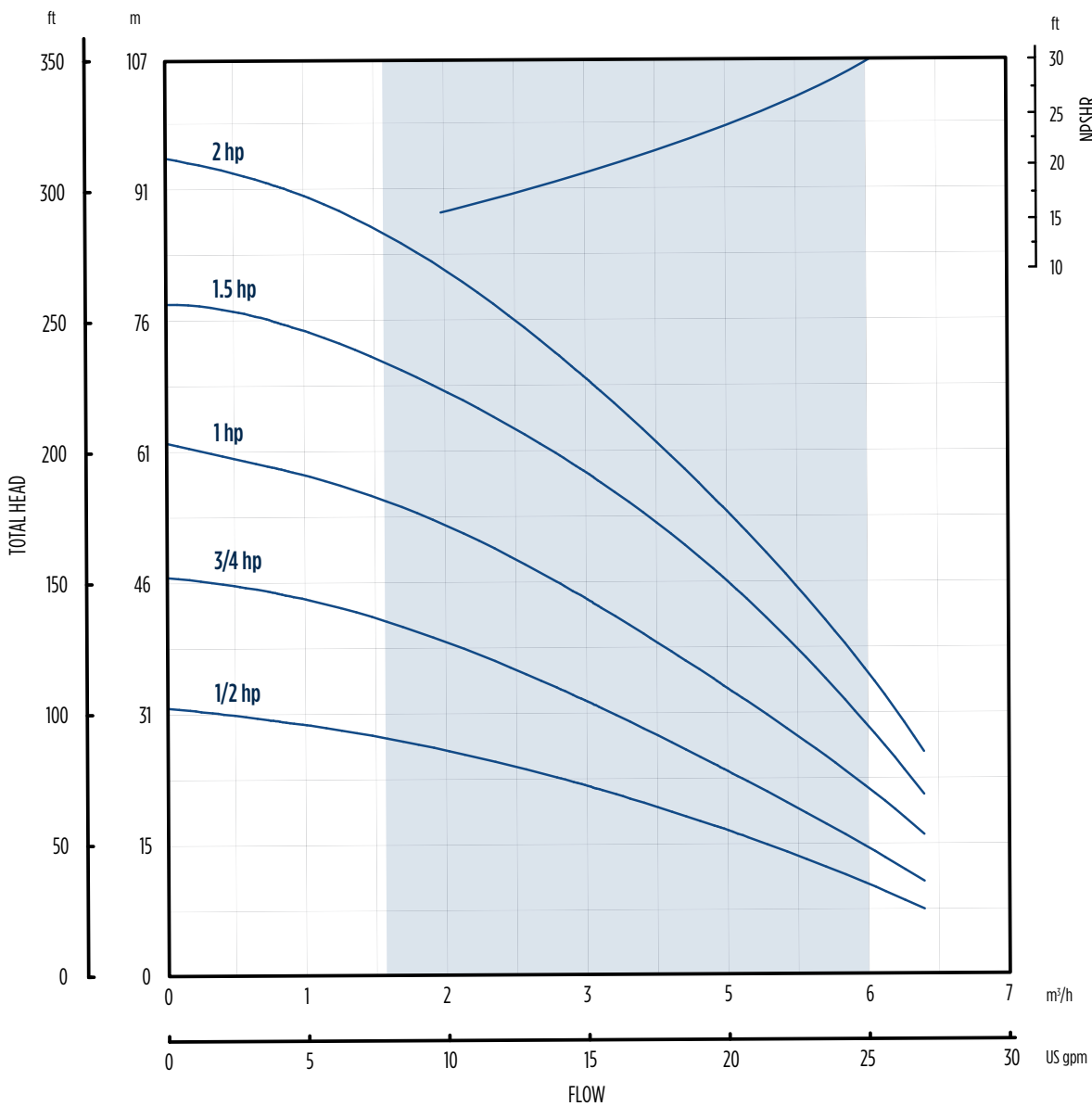
FAMILY CURVE





MH SERIES (15 GPM) HORIZONTAL MULTI-STAGE PUMPS

PERFORMANCE

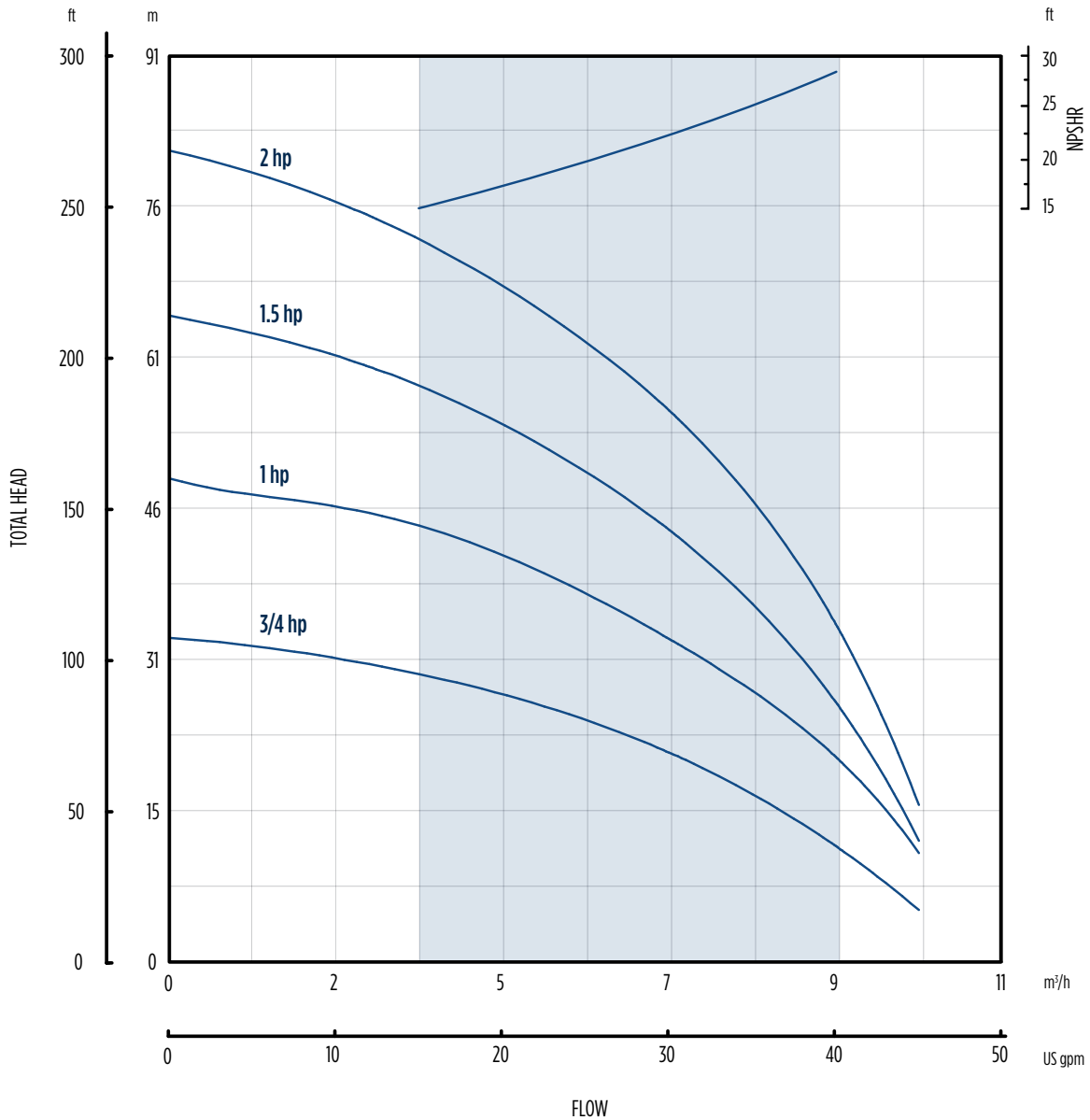


HP	Capacities - (GPM)																							Shut Off Head (PSI)
	Total Head - (Feet)																							
	50	60	70	80	90	100	110	120	130	140	150	160	170	180	190	200	210	220	230	240	250	260	270	
1/2	21	18	15	12	8	1	-	-	-	-	-	-	-	-	-	-	-	-	-	-	-	-	-	44
3/4	25	23	21	19	18	16	14	12	9	6	1	-	-	-	-	-	-	-	-	-	-	-	-	66
1	-	26	25	24	23	21	20	18	17	15	14	12	10	8	5	1	-	-	-	-	-	-	-	88
1.5	-	-	27	26	25	25	24	23	22	21	20	19	18	16	15	14	12	10	9	6	4	-	-	111
2	-	-	-	-	27	26	25	25	24	23	22	21	21	20	19	18	17	16	15	14	12	11	10	135



MH SERIES (30 GPM) HORIZONTAL MULTI-STAGE PUMPS

PERFORMANCE

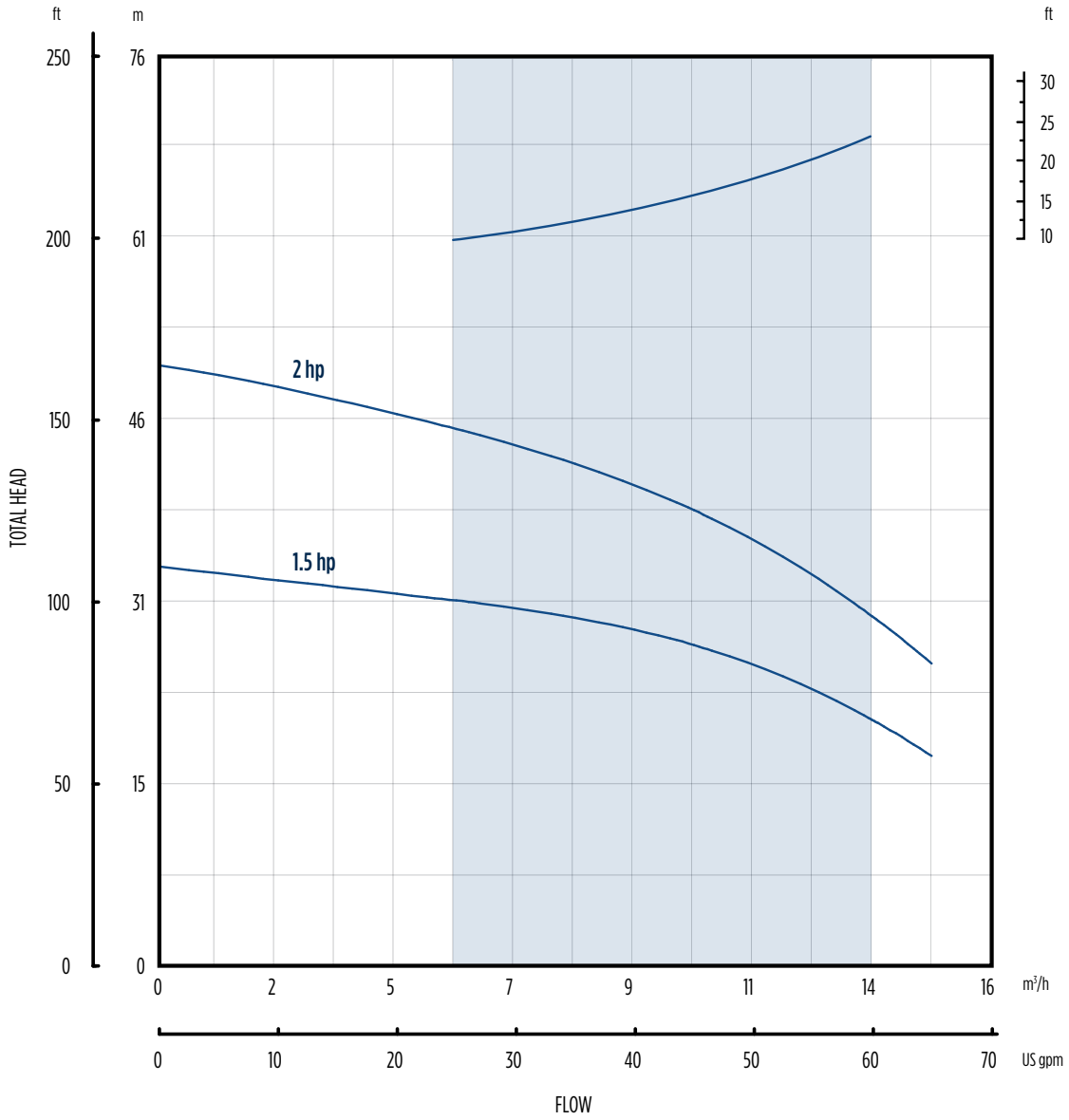


HP	Capacities - (GPM)																				Shut Off Head (PSI)
	Total Head - (Feet)																				
	50	60	70	80	90	100	110	120	130	140	150	160	170	180	190	200	210	220	230	240	
3/4	37	33	30	25	19	10	-	-	-	-	-	-	-	-	-	-	-	-	-	-	47
1	43	41	40	37	35	32	29	26	22	17	11	-	-	-	-	-	-	-	-	-	69
1.5	44	43	42	41	39	38	36	35	33	31	28	26	23	19	15	10	3	-	-	-	93
2	-	44	44	43	42	41	40	39	38	37	35	34	32	30	28	26	24	21	18	15	116



MH SERIES (45 GPM) HORIZONTAL MULTI-STAGE PUMPS

PERFORMANCE



HP	Capacities - (GPM)															Shut Off Head (PSI)
	Total Head - (Feet)															
	40	50	60	70	80	90	100	110	120	130	140	150	160	170	180	
1.5	-	-	64	59	52	43	26	-	-	-	-	-	-	-	-	47
2	-	-	-	-	-	62	58	54	48	42	33	22	9	-	-	71

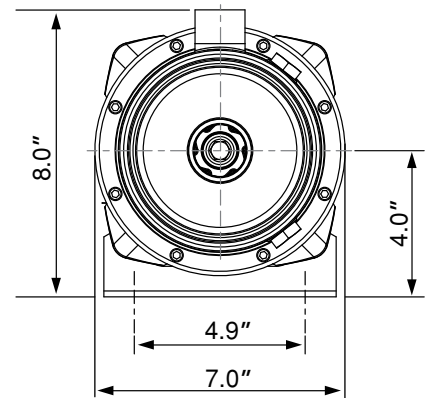
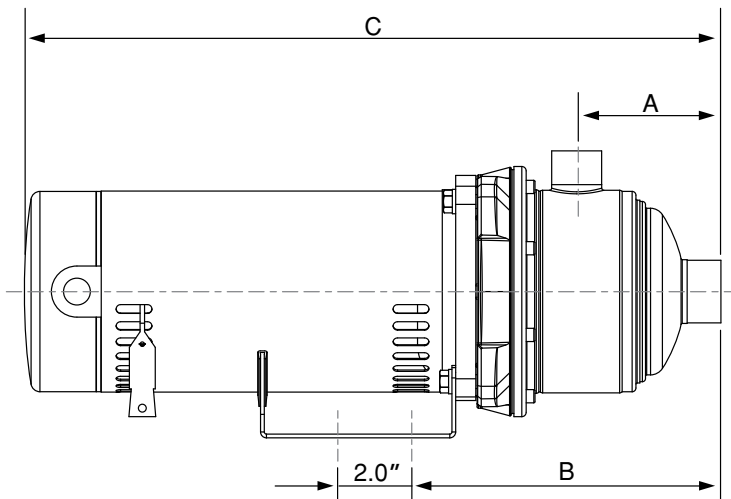
MH SERIES (15-30-45 GPM) HORIZONTAL MULTI-STAGE PUMPS

SINGLE-PHASE DIMENSIONS

GPM	HP	Stages	Dimensions (in)		
			A	B	C
15	0.5	2	4.06	8.75	16.75
	0.75	3	4.06	8.75	17.50
	1	4	5.00	9.69	19.07
	1.5	5	5.94	10.64	20.81
	2	6	6.89	11.58	22.59
30	0.75	2	4.06	8.75	17.50
	1	3	4.06	8.75	19.00
	1.5	4	5.00	9.69	20.70
	2	5	5.94	10.64	21.64
45	1.5	2	4.65	9.34	19.67
	2	3	4.65	9.34	20.50

THREE-PHASE DIMENSIONS

GPM	HP	Stages	Dimensions (in)		
			A	B	C
15	0.5	2	4.06	8.75	16.97
	0.75	3	4.06	8.75	17.62
	1	4	5.00	9.69	18.92
	1.5	5	5.94	10.64	20.78
	2	6	6.89	11.58	22.56
30	0.75	2	4.06	8.75	17.62
	1	3	4.06	8.75	18.85
	1.5	4	5.00	9.69	20.67
	2	5	5.94	10.64	21.61
45	1.5	2	4.65	9.34	19.64
	2	3	4.65	9.34	20.47





Franklin Electric